

**BEN PEARSON**

---

**PARTS MANUAL – 12000-4 AIR RELEASE  
12000-4 SN AIR RELEASE**

**2912 W. 2ND.  
PINE BLUFF, ARKANSAS 71601  
1-800-436-1327**

FIG. 1

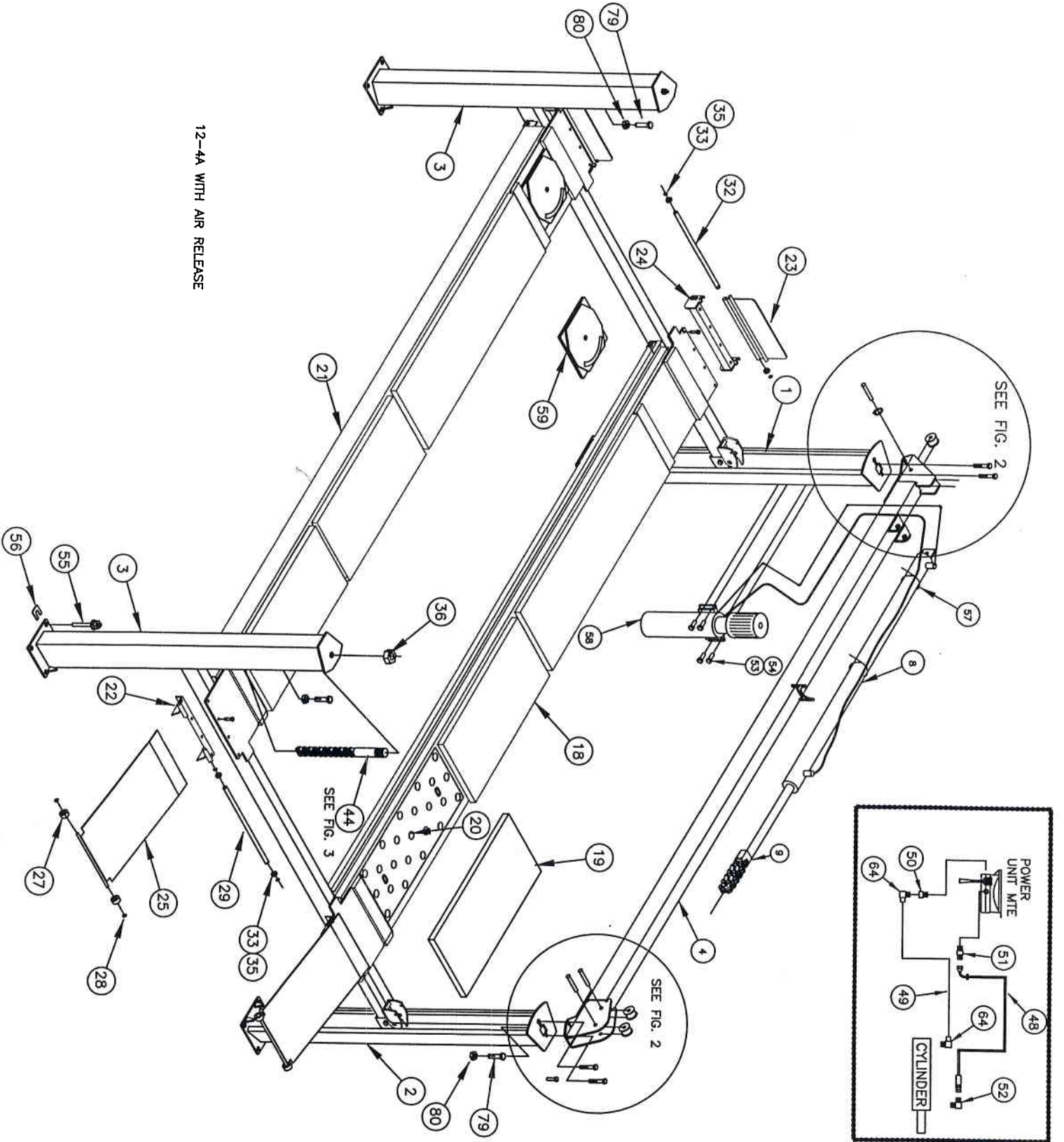
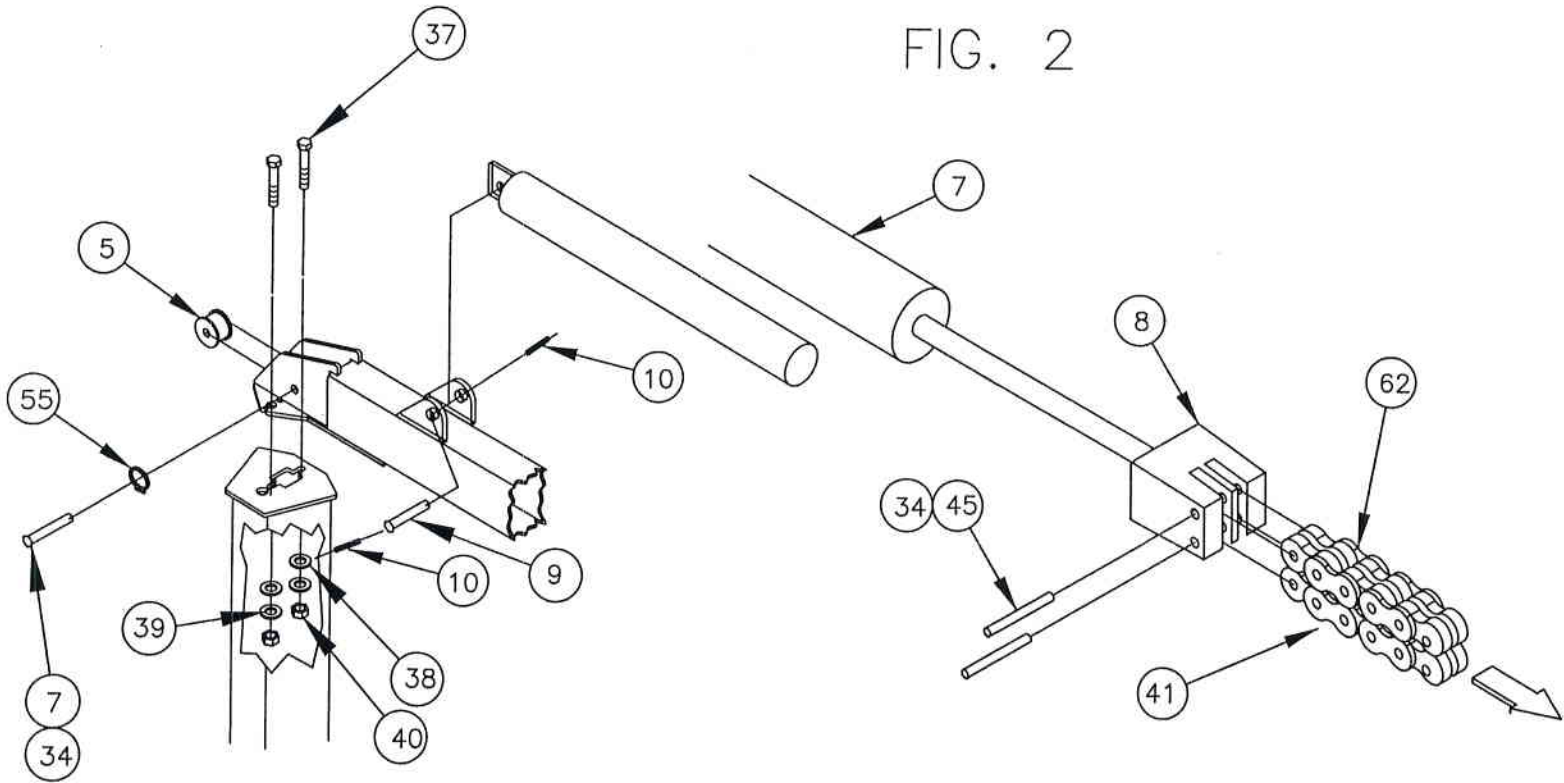


FIG. 2



12-4A WITH AIR RELEASE

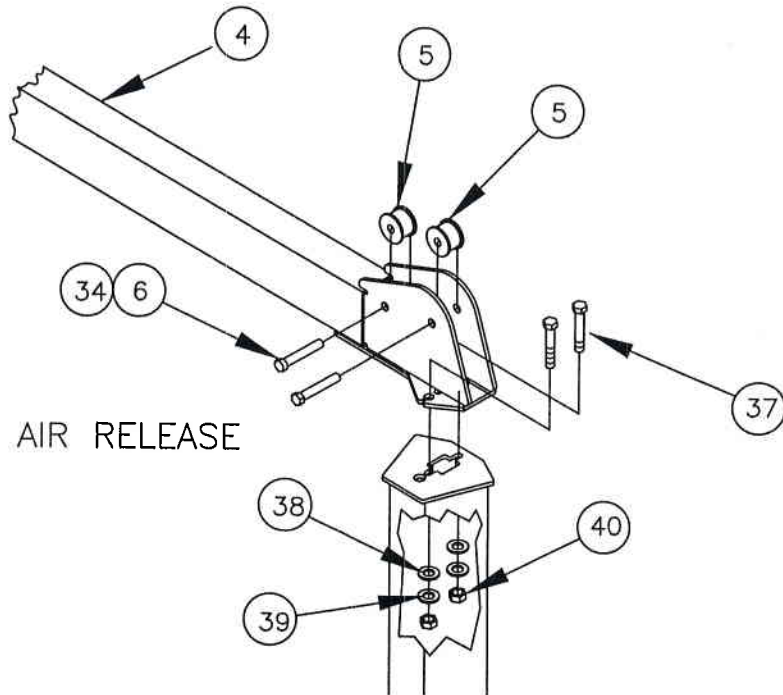
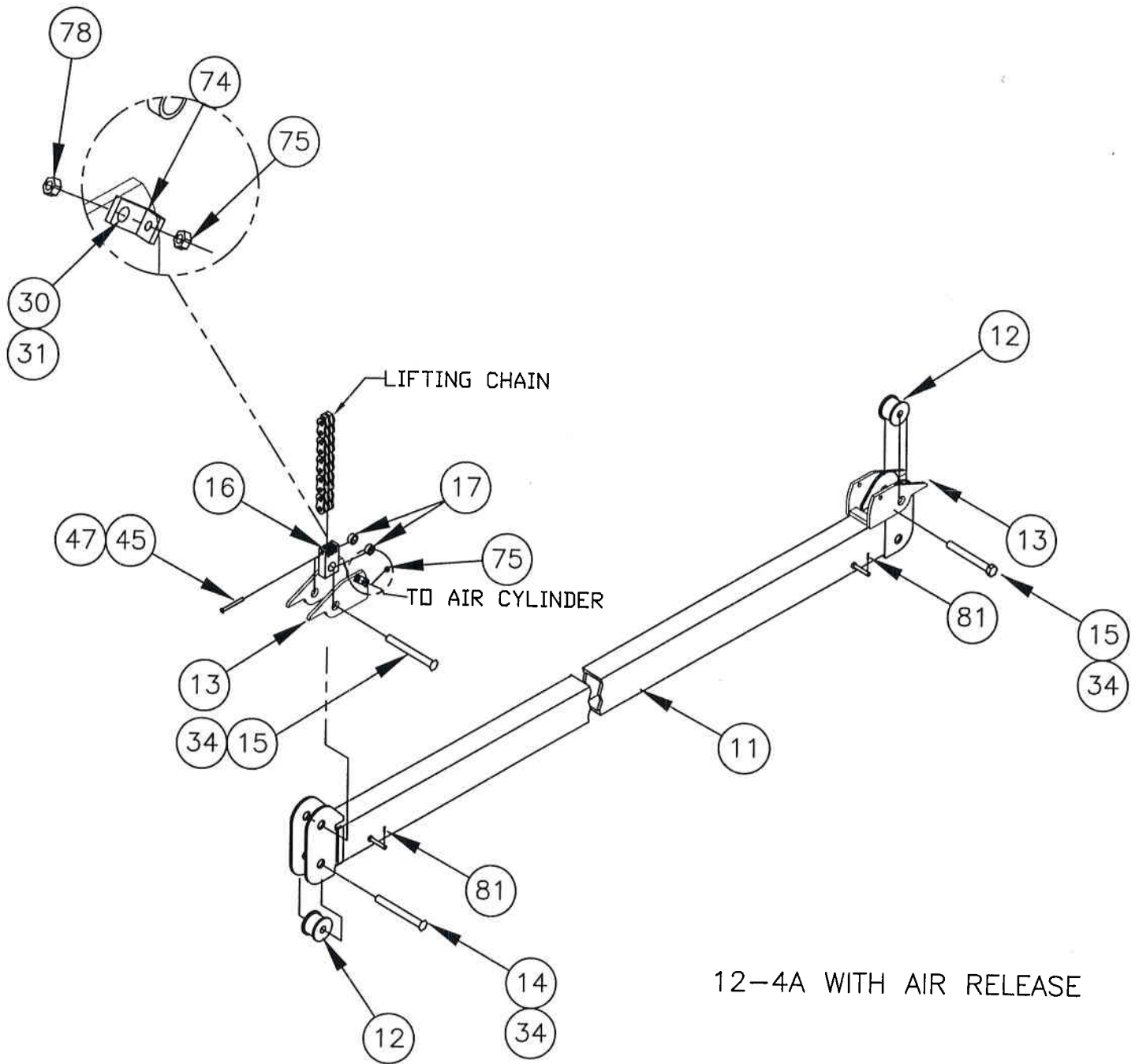


FIG. 3



# Schematic for Air Release System 12000A - AIR

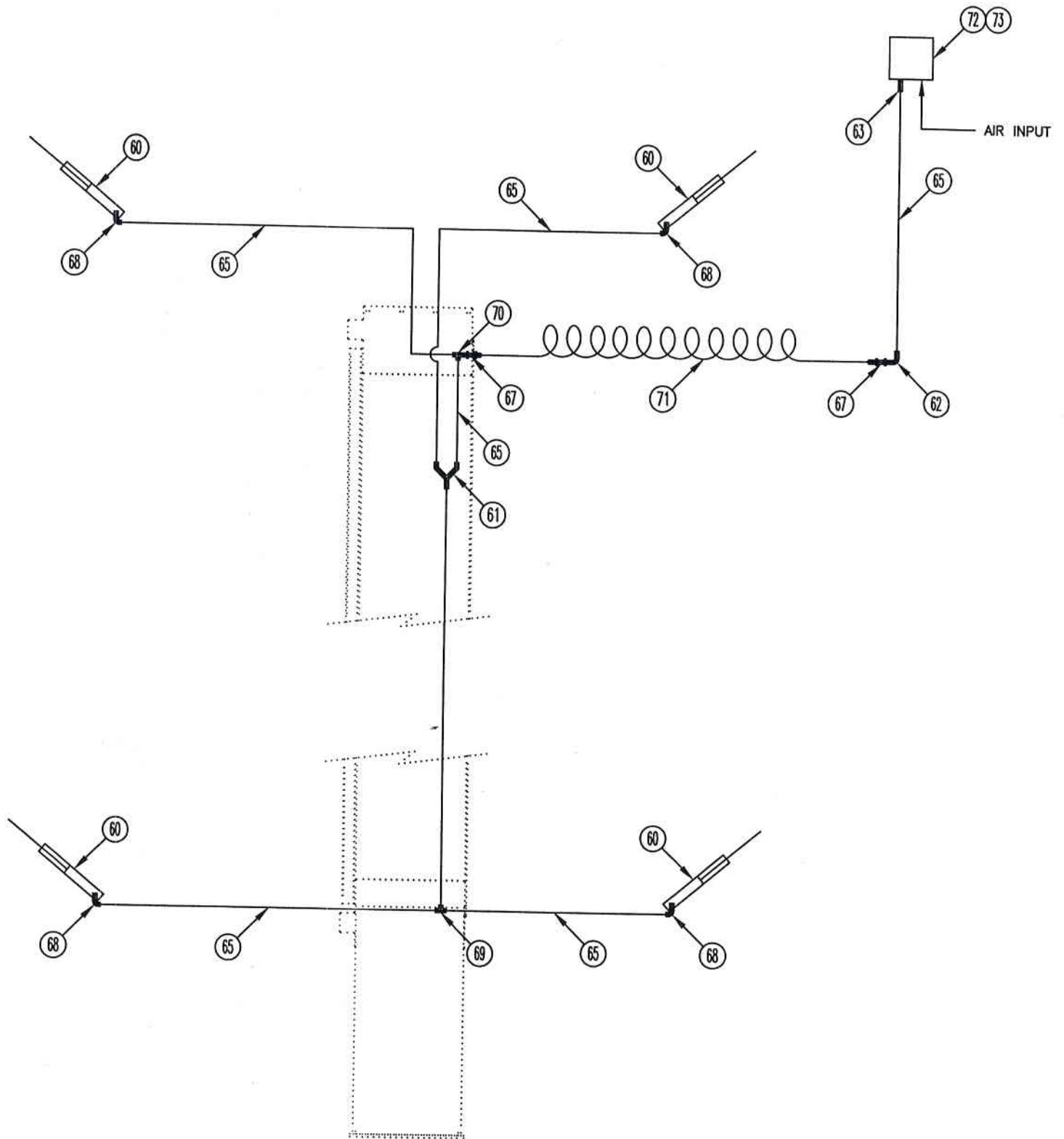
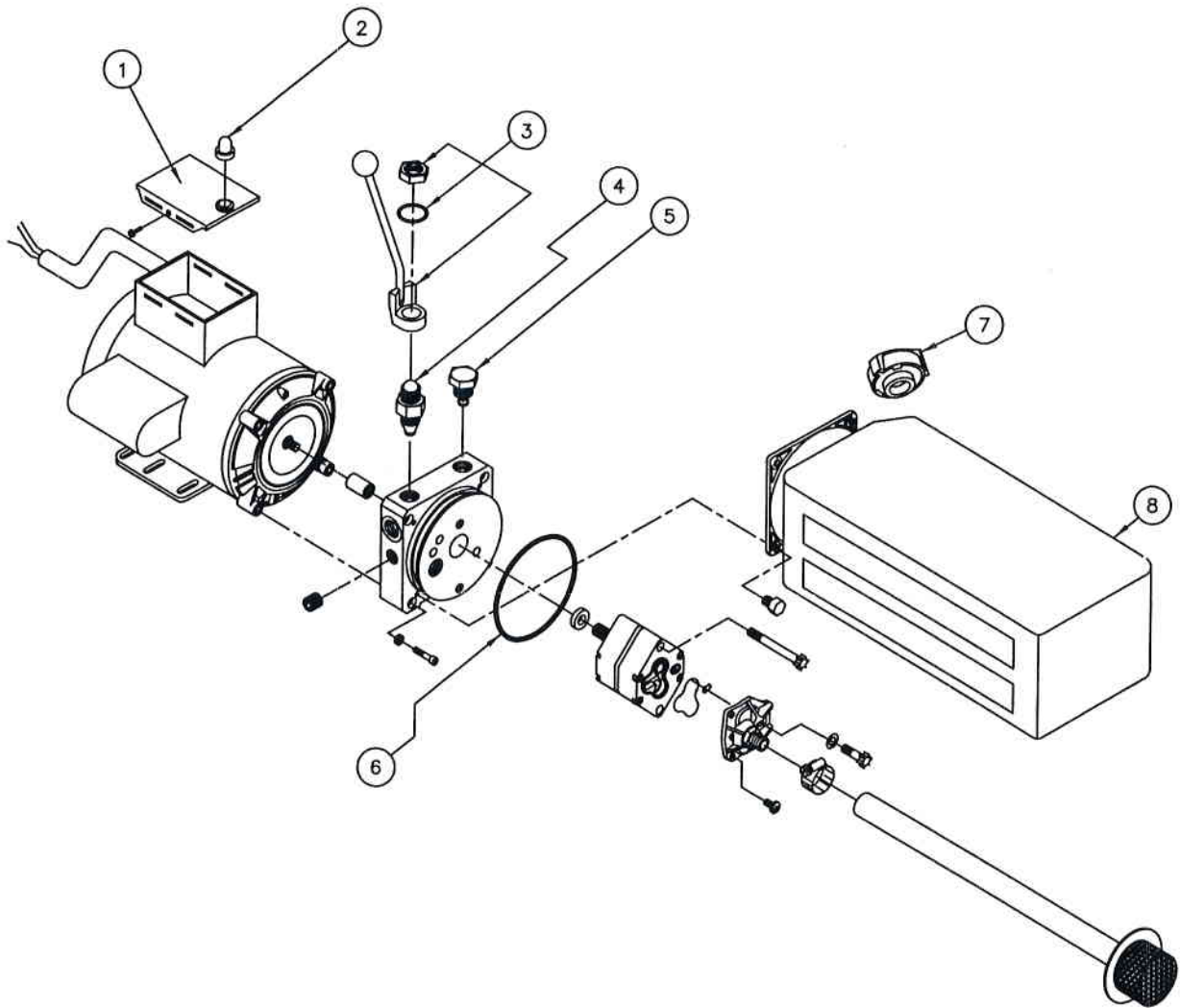


FIG. 4

		LIFT MODEL	12000-A	AIR
		LIFT PART NUMBER	90134	QT
1	POST STRUCTURE - MAIN P/U	91794		1
2	POST STRUCTURE - MAIN REAR	91900		1
3	POST STRUCTURE - OFFSIDE	91905		2
4	HORIZONTAL BEAM STRUCTURE	91807		1
5	SHEAVE ASSEMBLY - LIFTING CHAIN	91816		1
6	SHAFT ASSEMBLY - UPPER, HORIZONTAL	91862		3
7	CYLINDER	91132		1
8	CHAIN ANCHOR - CYLINDER	91776		1
9	CYLINDER PIN - 4 POST	91134		1
10	ROLL PIN 1/4" X 2"	103003		2
#	CROSS TUBE ASSEMBLY	91819		2
	11 CROSS TUBE STRUCTURE	91820		1
	12 SHEAVE ASSEMBLY - CROSS CHAIN	91825		2
	13 LATCH STRUCTURE	91826		2
	14 SHAFT ASSEMBLY - LOWER, CROSSMEMBER	91863		1
	15 SHAFT ASSEMBLY - UPPER, CROSSMEMBER	91864		2
	16 ANCHOR - LIFTING CHAIN	91775		1
	17 SPACER 1" PIPE X .44	91859		2
18	TRACK STRUCTURE - RH	91908		1
19	SLIP PLATE STRUCTURE	91922		2
20	CHROME STEEL BALL 1-1/8	103013		46
21	TRACK STRUCTURE - LH	91927		1
22	BAR STRUCTURE - ADAPTER, RAMP	91839		2
23	STOP STRUCTURE - FRONT	91843		2
24	MOUNTING BRACKET - FRONT STOP	91847		2
#	RAMP ASSEMBLY - 12ALMAG	91865		2
	25 RAMP STRUCTURE	91850		2
	# NON SKID ADHESIVE TAPE	56500		6
	27 ROLLER - RAMP	91793		2
	28 RETAINER 1/2"	91801		2
29	PIN - HINGE, RAMP	91792		2
30	HFHSL SCREW 3/8-16NC X 1-1/4"	100382		4
31	LOCKING NUT 3/8-16NC	100083		4
32	PIN - HINGE, FRONT STOP	91785		2
33	SNAP RING 3/4"	103000		4
34	SNAP RING	103029		13
35	FLATWASHER 3/4" SAE	100512		9
36	NYLOCK NUT 3/4 X 10 NC	101035		2
37	HEX SCREW 1/2 X 13NC X 2 GR. 5	100016		20
38	FLATWASHER 1/2	100152		36
39	LOCKWASHER 1/2	100125		20
40	HEX NUT 1/2 X 13NC	100124		12

LIFT MODEL		12000-A AIR	
LIFT PART NUMBER		90102	QT
#	CHAIN KIT		
	41 CHAIN - LONG 666 X 369LKS (276-3/4")	91869	1
	42 CHAIN - SHORT 666 X 125 LKS (93-3/4")	91790	1
	# CHAIN - CROSS 644 X 273 LKS (204-3/4")	91788	1
	44 ANCHOR - ADJUSTMENT	91789	2
	45 PIN - CHAIN, LIFTING	91781	2
	# PIN - CHAIN, CROSSOVER	91778	4
	47 RETAINING RING 5/16"	91779	4
		103032	16
48	HYDRAULIC HOSE 145"		
#	90LG FEMALE SWIVEL 3/8-9/16JIC	91860	1
#	FEMALE SWIVEL 3/8 X 9/16JIC	61454	1
49	3/8" TUBING 75"	60606	1
		91861	1
50	ADAPTER 9/16ORB X 3/8 NPT	105065	1
51	ADAPTER 9/16ORB X 9/16JIC	60544	1
52	ELBOW 3/8 MALE NPT X 9/16JIC	105004	2
#	HARDWARW KIT - POWER UNIT	95009	1
	53 HHFL SCREW 5/16 X 18NC X 3/4 GR.5	100234	4
	54 HH FL NUT 5/16 X 18NC	100237	4
55	ANCHOR BOLT 3/4 X 5-1/2	95000	16
56	SHIMS	95001	24
57	PLASTIC TIE	103015	2
58	POWER UNIT 1 PHASE 220V	95011	1
#	NAME PLATE	62249	1
#	BEN PEARSON DECAL	95005	2
#	PB/800 DECAL 2X5 MYLAR	95006	1
#	CAUTION DECAL 12000LB	95008	1
#	BLUE TOUCH-UP PAINT ( SPRAY)	103007	1
#	YELLOW TOUCH-UP PAINT (SPRAY)	103008	1
#	MANUAL	95118	1
#	WARRANTY CARD	83423	1
#	ALI DECALS, 4-POST	95164	
#	AIRLINE KIT ( FIG. 4)		1
	60 CYLINDER - AIR ACTUATING	91787	4
	61 Y CONNECTOR 1/4" TUBING	105046	1
	62 MALE ELBOW 1/4" NPT	105047	1
	63 MALE CONNECTOR 1/8NPT	105048	1
	64 MALE ELBOW 3/8 NPT	105049	2
	65 1/4" TUBING	50100	50
	67 ANCHOR COUPLING	105050	2
	68 MALE ELBOW 1/8" NPT	105051	4
	69 UNION TEE 1/4" NPT	105052	1
	70 MALE RUN TEE 1/4" NPT	105053	1
	71 COIL HOSE 1/4 X 12'	105018	1
	72 AIR VALVE	105038	1
	73 ACTUATOR - AIR VALVE	105039	1
	74 LINK - AIR VALVE	91867	1
	75 1/4-28NF HEX NUT	101034	4
	76 HFHSL SCREW 3/8-16NC X 1-1/4"	100382	4
	77 LOCKING NUT 3/8-16NC	100083	4
	78 1/4-28NF NYLON NUT	101022	4
	81 COTTER PIN 1/8 X 3/4	100175	4
79	HHCS 3/4 X 6	101033	3
80	NUT 3/4" X 10NC	101006	3
	<b>ACCESSORIES</b>		
59	TURNTABLE KIT	90065	1



ITEM NO.	DESCRIPTION	PART #	QTY.
1	MICROSWITCH WIRING ASSY	95086	1
2	MICROSWITCH BOOT	95075	1
3	MANUAL RELEASE ASSY	95041	1
4	MANUAL RELEASE VALVE	95035	1
5	VALVE CARTRIDGE CHECK	95036	1
6	RESERVOIR O-RING	95076	1
7	BREATHER	95044	1
8	RESERVOIR	95040	1