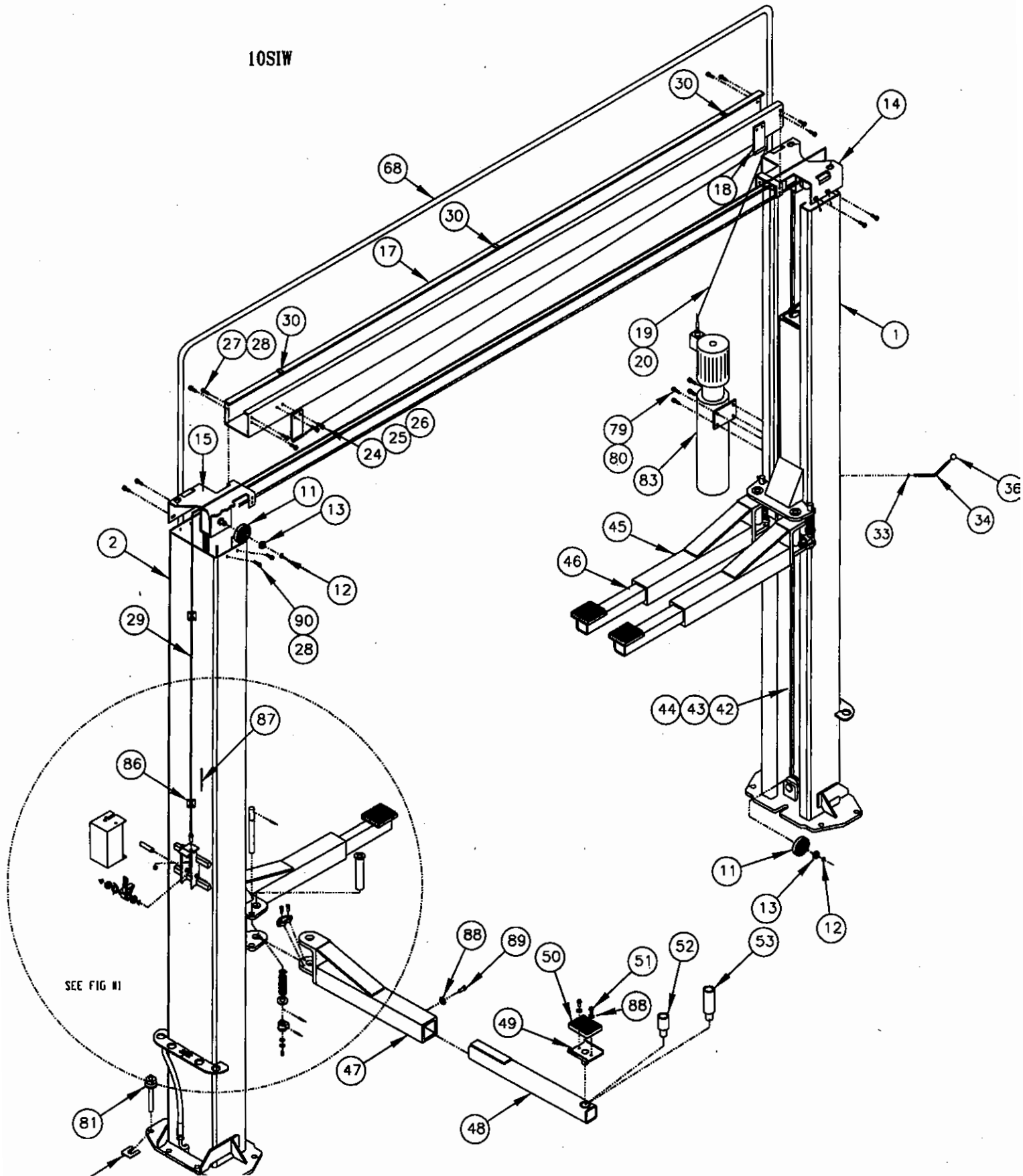


BEN PEARSON

**PARTS MANUAL – MODEL 10,000SI-WIDE
MODEL 10,000SI-WIDE –EH1
MODEL 10,000SI-WIDE –EH2**

**2912 W. 2nd
Pine Bluff, Arkansas 71601
1-800-436-1327**

10SIW



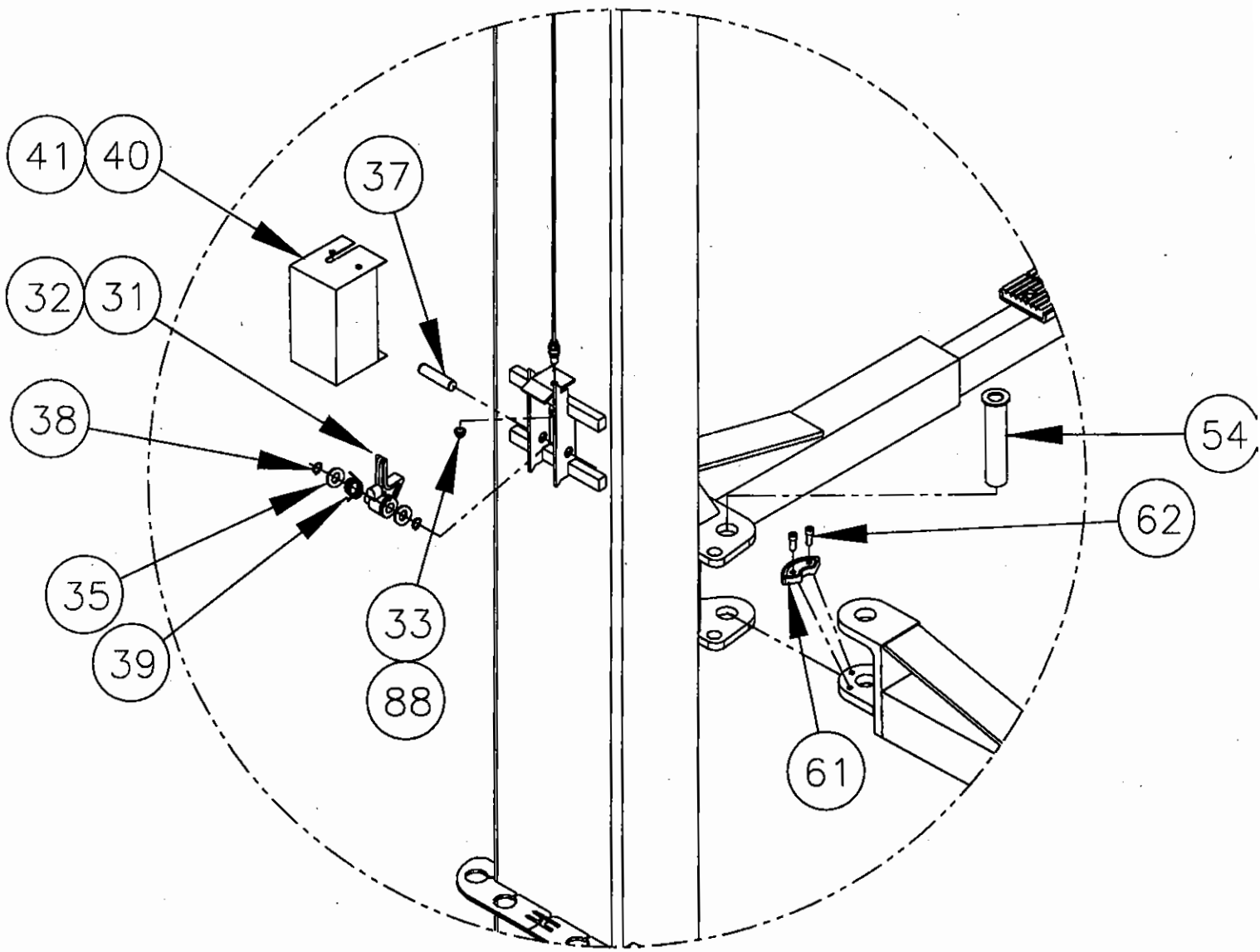
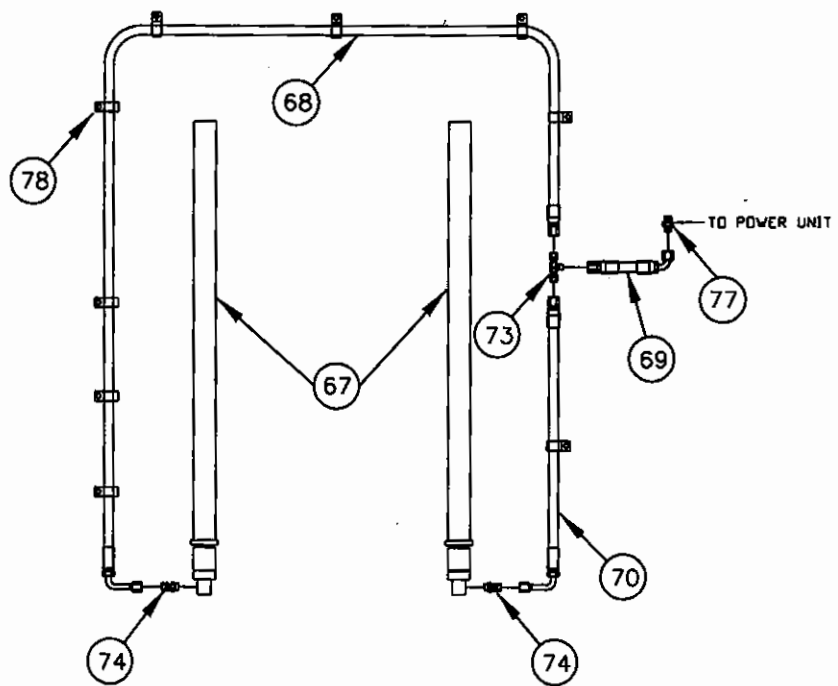
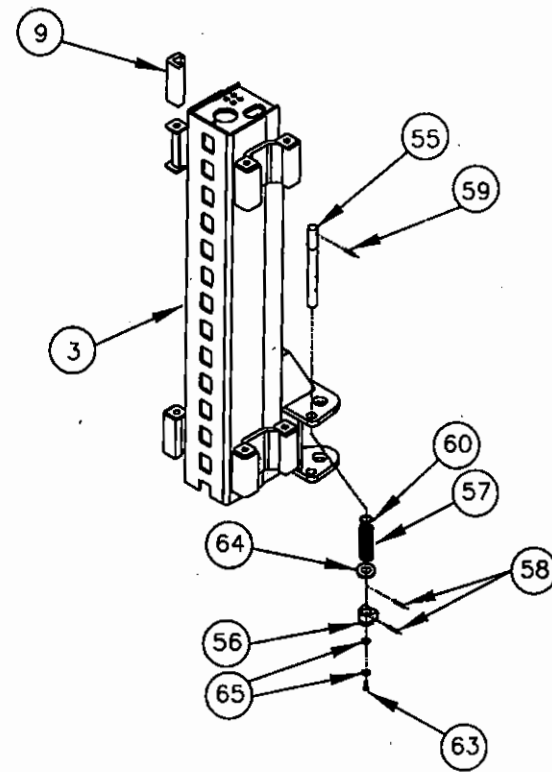
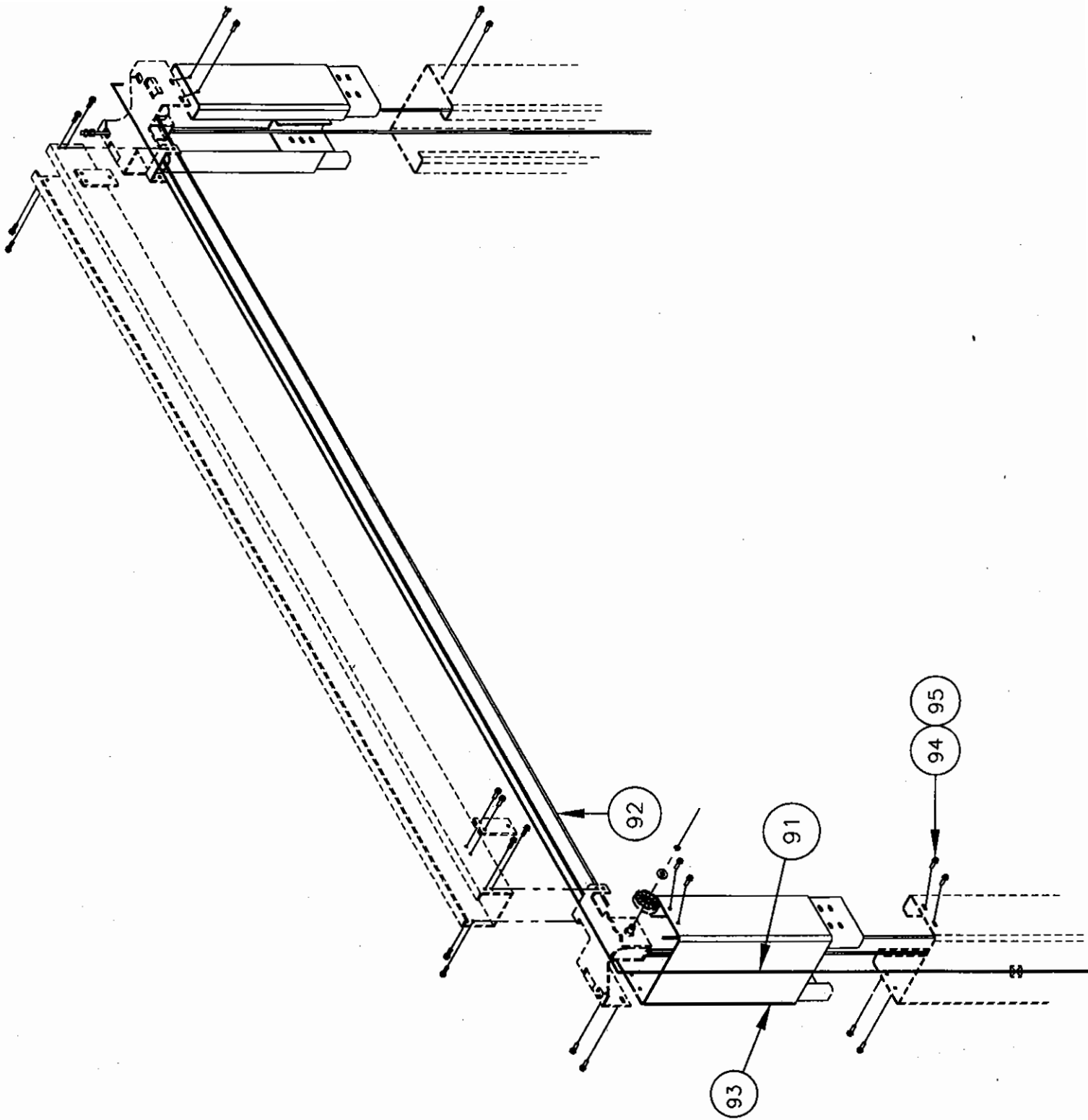


FIG #1

10SIW





PARTS LISTING

11/11/05

| | BASE MODEL | 10000SIW | | 10000SIW - EH1 | | 10000SIW - EH2 | |
|----|-----------------------------------|----------|----|----------------|----|----------------|----|
| | LIFT PART NUMBER | 90137 | | 90138 | | 90139 | |
| | OVERALL HEIGHT | 141-3/8" | QT | 153-3/8" | QT | 165-3/8" | QT |
| 1 | POST STRUCTURE - RH | 91605 | 1 | 91605 | 1 | 91605 | 1 |
| 2 | POST STRUCTURE - LH | 91512 | 1 | 91512 | 1 | 91512 | 1 |
| 3 | CARRIAGE STRUCTURE | 91513 | 2 | 91513 | 2 | 91513 | 2 |
| 9 | BEARING BLOCK | 91564 | 16 | 91564 | 16 | 91564 | 16 |
| 11 | SHEAVE | 91565 | 6 | 91565 | 6 | 91565 | 6 |
| 12 | SNAP RING 3/4" | 103000 | 6 | 103000 | 6 | 103000 | 6 |
| 13 | FLATWASHER 3/4" SAE | 100512 | 6 | 100512 | 6 | 100512 | 6 |
| 14 | TOP CAP STRUCTURE - RH | 91607 | 1 | 91607 | 1 | 91607 | 1 |
| 15 | TOP CAP STRUCTURE - LH | 91607 | 1 | 91607 | 1 | 91607 | 1 |
| 17 | CROSSOVER CHANNEL | 92000 | 1 | 92000 | 1 | 92000 | 1 |
| 18 | BRACKET - SHUTOFF MOUNTING | 92495 | 2 | 92495 | 2 | 92495 | 2 |
| 19 | CABLE - SHUTOFF | 91085 | 1 | 91085 | 1 | 91085 | 1 |
| 20 | CABLE CLAMP | 91086 | 4 | 91086 | 4 | 91086 | 4 |
| 24 | HHS 1/4 20 NC X 3/4 | 100207 | 4 | 100207 | 4 | 100207 | 4 |
| 25 | HEX NUT 1/4-20NC | 100131 | 4 | 100131 | 4 | 100131 | 4 |
| 26 | LOCKWASHER 1/4" | 100134 | 4 | 100134 | 4 | 100134 | 4 |
| 27 | HFHSL SCREW 3/8-16NC X 3/4 | 100179 | 8 | 100179 | 8 | 100179 | 8 |
| 28 | HFHSL NUT 3/8-16NC | 100239 | 17 | 100239 | 17 | 100239 | 17 |
| 29 | ACTUATOR CABLE - ASSEMBLY | 92002 | 1 | | | | |
| 91 | ACTUATOR CABLE - EH1 | | | 92005 | 1 | | |
| 91 | ACTUATOR CABLE - EH2 | | | | | 92006 | 1 |
| 30 | CLIP - CABLE | 103021 | 3 | 103021 | 3 | 103021 | 3 |
| 31 | RH CARRIAGE LATCH | 91599 | 1 | 91599 | 1 | 91599 | 1 |
| 32 | LH CARRIAGE LATCH | 91600 | 1 | 91600 | 1 | 91600 | 1 |
| 33 | HEX JAM NUT 3/8-16 | 101029 | 1 | 101029 | 1 | 101029 | 1 |
| 34 | HANDLE - CARRIAGE STOP | 91574 | 1 | 91574 | 1 | 91574 | 1 |
| 35 | FLAT WASHER 3/4" SAE ZINC | 100512 | 4 | 100512 | 4 | 100512 | 4 |
| 36 | KNOB | 91575 | 1 | 91575 | 1 | 91575 | 1 |
| 37 | PIN - PIVOT - CARRIAGE STOP | 91576 | 2 | 91576 | 2 | 91576 | 2 |
| 38 | 3/4" SNAP RINGS | 103000 | 4 | 103000 | 4 | 103000 | 4 |
| 39 | TORSION SPRING - CARRIAGE STOP | 103016 | 2 | 103016 | 2 | 103016 | 2 |
| 40 | LATCH COVER - POWER UNIT SIDE | 91569 | 1 | 91569 | 1 | 91569 | 1 |
| 41 | LATCH COVER - OFFSIDE | 91533 | 1 | 91533 | 1 | 91533 | 1 |
| 93 | EXTENSION WELDMENT - 1' EH1 | | | 91636 | 2 | | |
| 93 | EXTENSION WELDMENT - 2' EH2 | | | | | 91633 | 2 |
| 94 | 3/8-16 HFHSL NUT - EH1 & EH2 | | | 100239 | 8 | 100239 | 8 |
| 95 | 3/8-16 X 1 HFHSL BOLT - EH1 & EH2 | | | 100238 | 8 | 100238 | 8 |
| 42 | EQUALIZER CABLE | 92001 | 2 | | | | |
| 92 | EQUALIZER CABLE - EH1 | | | 92003 | 2 | | |
| 92 | EQUALIZER CABLE - EH2 | | | | | 92004 | 2 |
| 43 | FLATWASHER 5/8" SAE | 100155 | 4 | 100155 | 4 | 100155 | 4 |
| 44 | HEX NUT 5/8-11NC | 100192 | 8 | 100192 | 8 | 100192 | 8 |
| 45 | FRONT ARM STRUCTURE | 91613 | 2 | 91613 | 2 | 91613 | 2 |
| 46 | FRONT ARM EXTENSION STRUCTURE | 91615 | 2 | 91615 | 2 | 91615 | 2 |

| | BASE MODEL | 10000SIW | | 10000SIW - EH1 | | 10000SIW - EH2 | |
|-----|-------------------------------------|----------|----|----------------|----|----------------|----|
| | LIFT PART NUMBER | 90137 | | 90138 | | 90139 | |
| | OVERALL HEIGHT | 141-3/8" | QT | 153 - 3/8" | QT | 165 - 3/8" | QT |
| 47 | REAR ARM STRUCTURE | 91613 | 2 | 91613 | 2 | 91613 | 2 |
| 48 | REAR ARM EXTENSION STRUCTURE | 91615 | 2 | 91615 | 2 | 91615 | 2 |
| # | LIFT PAD ASSEMBLY | 91555 | 4 | 91555 | 4 | 91555 | 4 |
| 49 | LIFT PAD STRUCTURE | 91556 | 1 | 91556 | 1 | 91556 | 1 |
| 50 | PAD LIFT - BOLT ON | 91559 | 1 | 91559 | 1 | 91559 | 1 |
| 51 | HFHSL 3/8-16NC X 3/4 | 100179 | 2 | 100179 | 2 | 100179 | 2 |
| 52 | LIFT PAD EXTENSION 2-5/8" | 91560 | 4 | 91560 | 4 | 91560 | 4 |
| 53 | LIFT PAD EXTENSION 5" | 91562 | 4 | 91562 | 4 | 91562 | 4 |
| 54 | ARM PIN STRUCTURE | 91063 | 4 | 91063 | 4 | 91063 | 4 |
| 55 | SHAFT - ARM RESTRAINT | 91581 | 4 | 91581 | 4 | 91581 | 4 |
| 56 | GEAR - LOCKING | 91582 | 4 | 91582 | 4 | 91582 | 4 |
| 57 | SPRING - ACTUATING - ARM RESTRAINT | 103017 | 4 | 103017 | 4 | 103017 | 4 |
| 58 | ROLL PIN - 3/16 X 1-1/2 | 103009 | 8 | 103009 | 8 | 103009 | 8 |
| 59 | ROLL PIN - 1/4 X 2-1/2 | 103018 | 4 | 103018 | 4 | 103018 | 4 |
| 60 | 1" SNAP RING | 103019 | 4 | 103019 | 4 | 103019 | 4 |
| 61 | GEAR - ARM RESTRAINT | 91584 | 4 | 91584 | 4 | 91584 | 4 |
| 62 | SOCKET HEAD CAP SCREW 3/8-16NC X 1" | 101028 | 8 | 101028 | 8 | 101028 | 8 |
| 63 | SOCKET HEAD CAP SCREW-5/16-18 X 3/4 | 101027 | 4 | 101027 | 4 | 101027 | 4 |
| 64 | FLAT WASHER 1" SAE | 100143 | 4 | 100143 | 4 | 100143 | 4 |
| 65 | FLAT WASHER 5/16" SAE | 100088 | 8 | 100088 | 8 | 100088 | 8 |
| 67 | CYLINDER | 91586 | 2 | 91586 | 2 | 91586 | 2 |
| 68 | HYDRAULIC HOSE | 92502 | 1 | 92502 | 1 | 92502 | 1 |
| 69 | HYDRAULIC HOSE | 92480 | 1 | 92480 | 1 | 92480 | 1 |
| 70 | HYDRAULIC HOSE | 92501 | 1 | 92501 | 1 | 92501 | 1 |
| 78 | HOSE CLAMP | 61412 | 9 | 61412 | 11 | 61412 | 11 |
| 100 | HYDRAULIC HOSE EXTENSION - EH1 | | | XXXXX | 1 | | |
| 100 | HYDRAULIC HOSE EXTENSION - EH2 | | | | | XXXXX | 1 |
| 105 | UNION TUBE FITTING - EH1 & EH2 | | | XXXXX | 1 | XXXXX | 1 |
| # | CABLE TIE - EH1 & EH2 | | | 103025 | 4 | 103025 | 4 |
| 73 | TEE - UNION 9/16JIC | 105078 | 1 | 105078 | 1 | 105078 | 1 |
| 74 | MALE CONNECTOR 1/4NPTX9/16 JIC | 100037 | 2 | 100037 | 2 | 100037 | 2 |
| 77 | ADAPTER 9/16ORB X 9/16JIC | 60544 | 1 | 60544 | 1 | 60544 | 1 |
| 79 | HHFL SCR 5/16X18NCX3/4 GR. 5 | 100234 | 4 | 100234 | 4 | 100234 | 4 |
| 80 | HH FL NUT 5/16 X 18NC | 100237 | 4 | 100237 | 4 | 100237 | 4 |
| 81 | ANCHOR BOLT 3/4 X 5-1/2" | 95083 | 12 | 95083 | 12 | 95083 | 12 |
| 82 | SHIMS | 95001 | 24 | 95001 | 24 | 95001 | 24 |
| 83 | POWER UNIT - O/H 1PHASE 220V | 95103 | 1 | 95103 | 1 | 95103 | 1 |
| 86 | ADHESIVE 4-WAY CABLE TIE | 103020 | 4 | 103020 | 4 | 103020 | 4 |
| 87 | CABLE TIE | 103025 | 4 | 103025 | 4 | 103025 | 4 |
| 88 | FLATWASHER 3/8" SAE | 100082 | 12 | 100082 | 12 | 100082 | 12 |
| 89 | 3/8 x 3/4 SELF TAPPING SCREW | 101025 | 4 | 101025 | 4 | 101025 | 4 |
| 90 | HFHSL 3/8-16NC X 1-1/4 | 100382 | 17 | 100382 | 17 | 100382 | 17 |
| # | RELIEF VALVE-RV15 | | | | | | |
| # | SERIAL NAME PLATE | 95056 | 1 | 95056 | 1 | 95056 | 1 |
| # | BEN PEARSON DECAL 5X36 MYLAR | 95005 | 2 | 95005 | 2 | 95005 | 2 |
| # | PB/800 DECAL 2X5 MYLAR | 95006 | 1 | 95006 | 1 | 95006 | 1 |
| # | CAUTION DECAL 10000 LB | 95024 | 2 | 95024 | 2 | 95024 | 2 |
| # | ALI UNIFORM WARNING LABELS | 95046 | 1 | 95046 | 1 | 95046 | 1 |

| | BASE MODEL | 10000SIW | 10000SIW - EH1 | 10000SIW - EH2 | |
|---|---------------------------------------|-------------|----------------|----------------|---|
| | LIFT PART NUMBER | 90137 | 90138 | 90139 | |
| | OVERALL HEIGHT | 141-3/8" QT | 153 - 3/8" QT | 165 - 3/8" QT | |
| # | ALI SAFETY REQUIREMENTS FOR OPERATION | 95047 | 1 | 95047 | 1 |
| # | ALI LIFTING POINT QUICK REF. | 95048 | 1 | 95048 | 1 |
| # | LIFTING IT RIGHT MANUAL | 95049 | 1 | 95049 | 1 |
| # | BLUE TOUCH-UP PAINT | 103007 | 1 | 103007 | 1 |
| # | YELLOW TOUCH-UP PAINT | 103008 | 1 | 103008 | 1 |
| # | WARRANTY CARD | 83423 | 1 | 83423 | 1 |
| # | MANUAL | 95084 | 1 | 95084 | 1 |
| # | GREASE 2-EP 1# CAN | 95116 | 1 | 95116 | 1 |
| # | NOT SHOWN | | | | |