

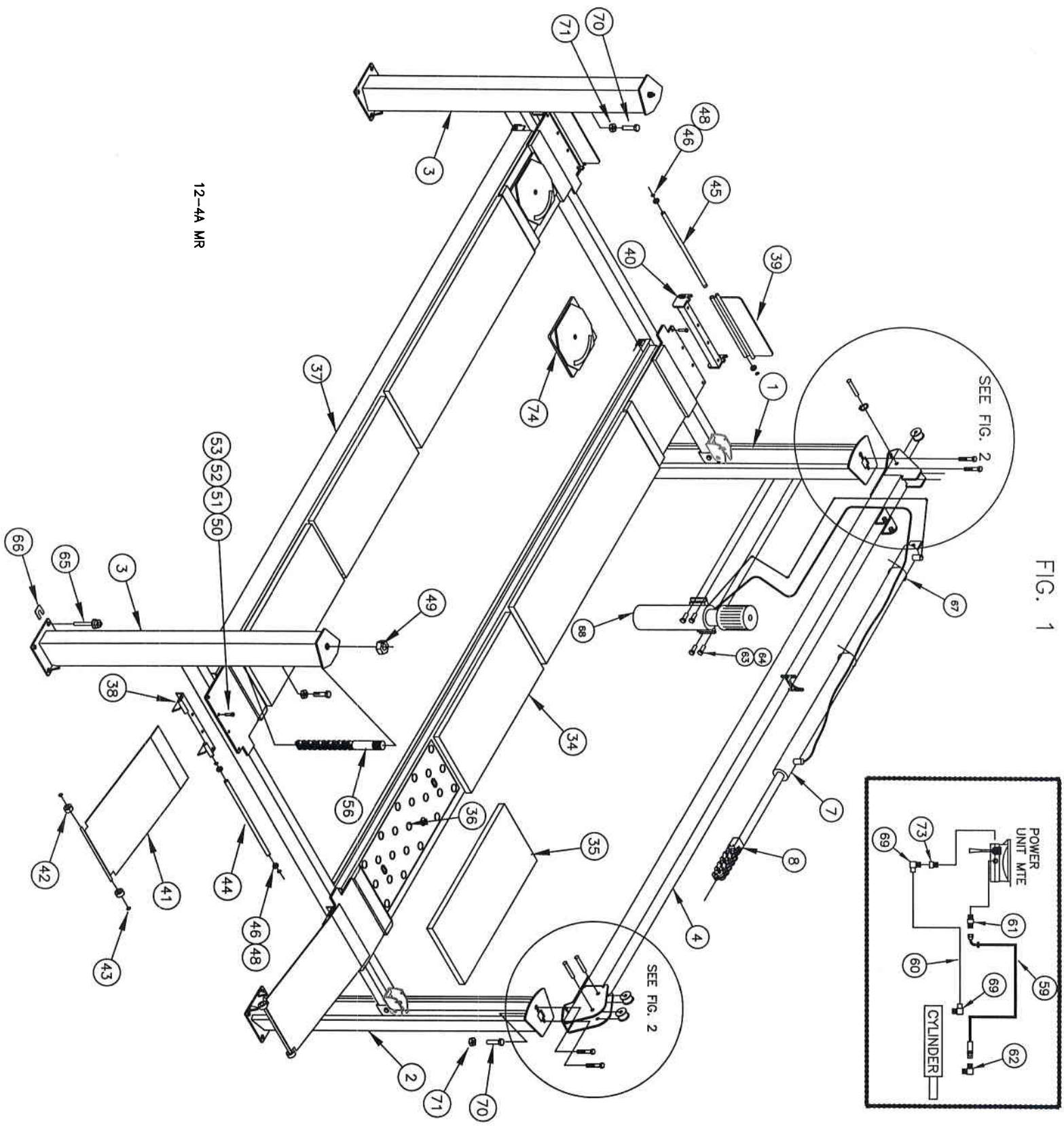
BEN PEARSON

PARTS MANUAL -

**12000-4 ALIGNMENT
MECHANICAL RELEASE**

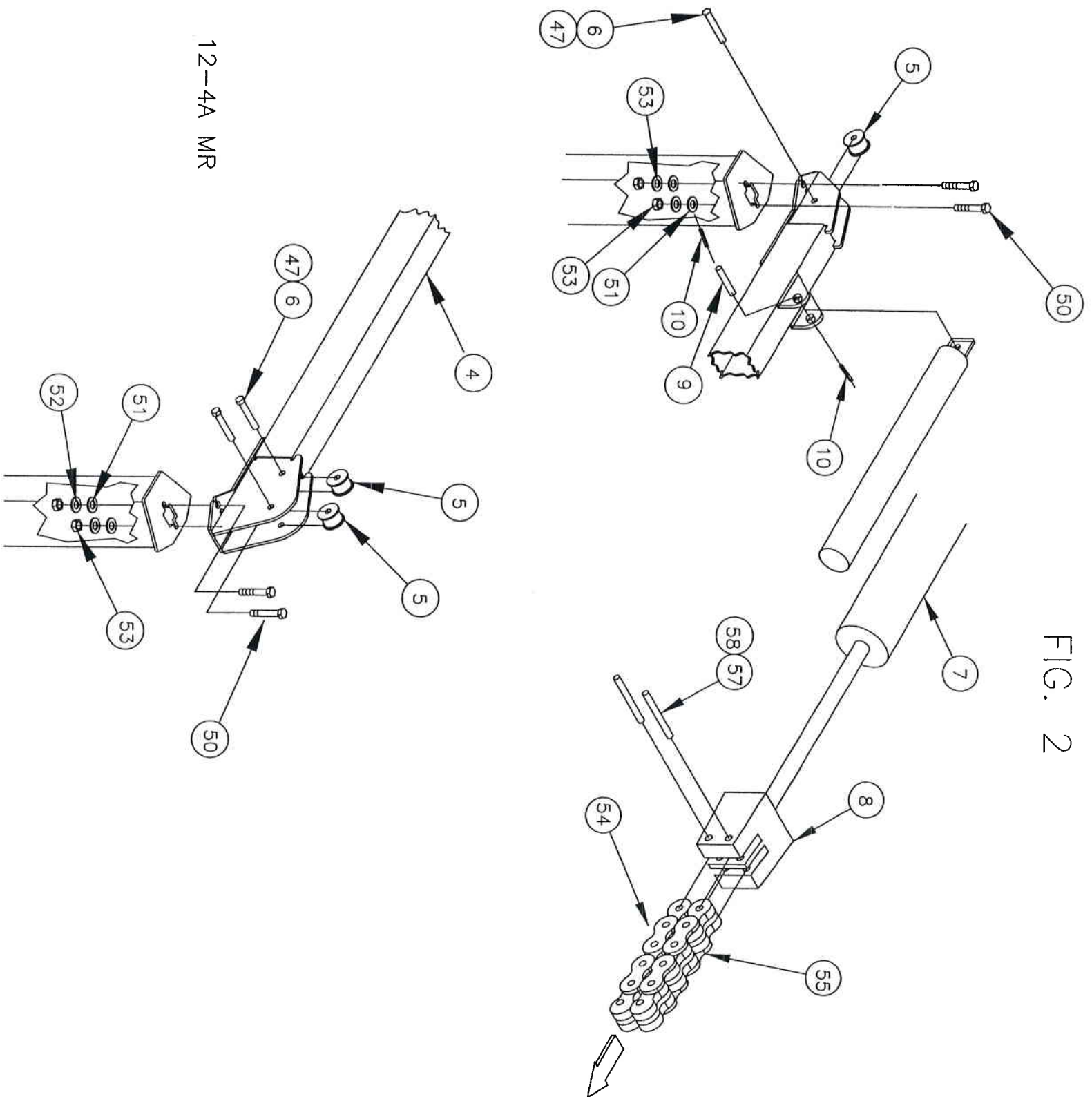
**2912 W. 2ND.
PINE BLUFF, ARKANSAS 71601
1-800-436-1327**

FIG. 1



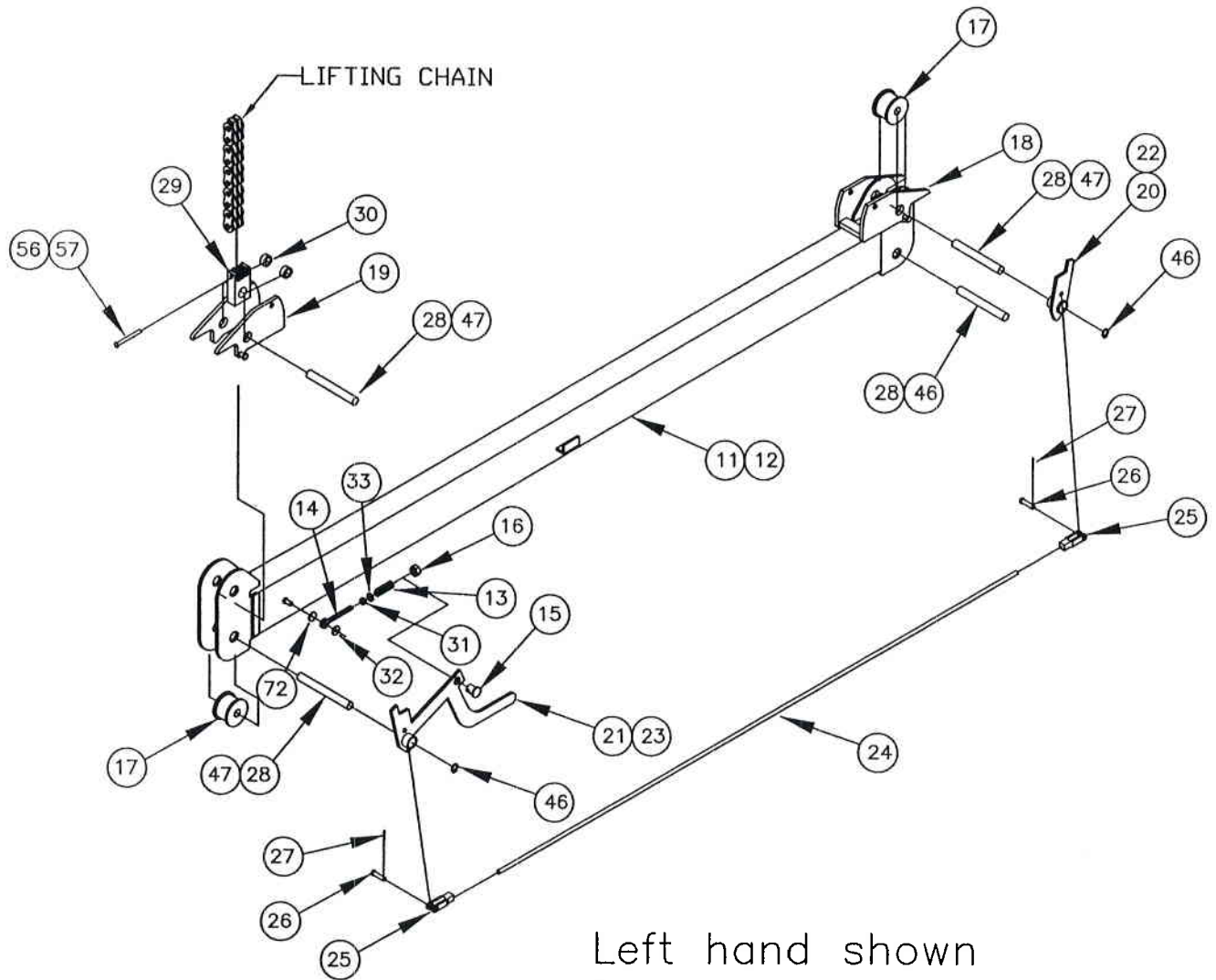
12-4A MR

FIG. 2



12-4A MR

FIG. 3
12-4A MR



Left hand shown
Right hand is opposite

12-4A MR

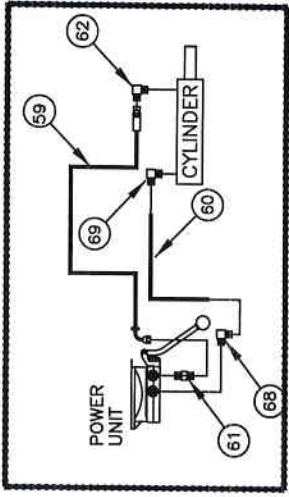
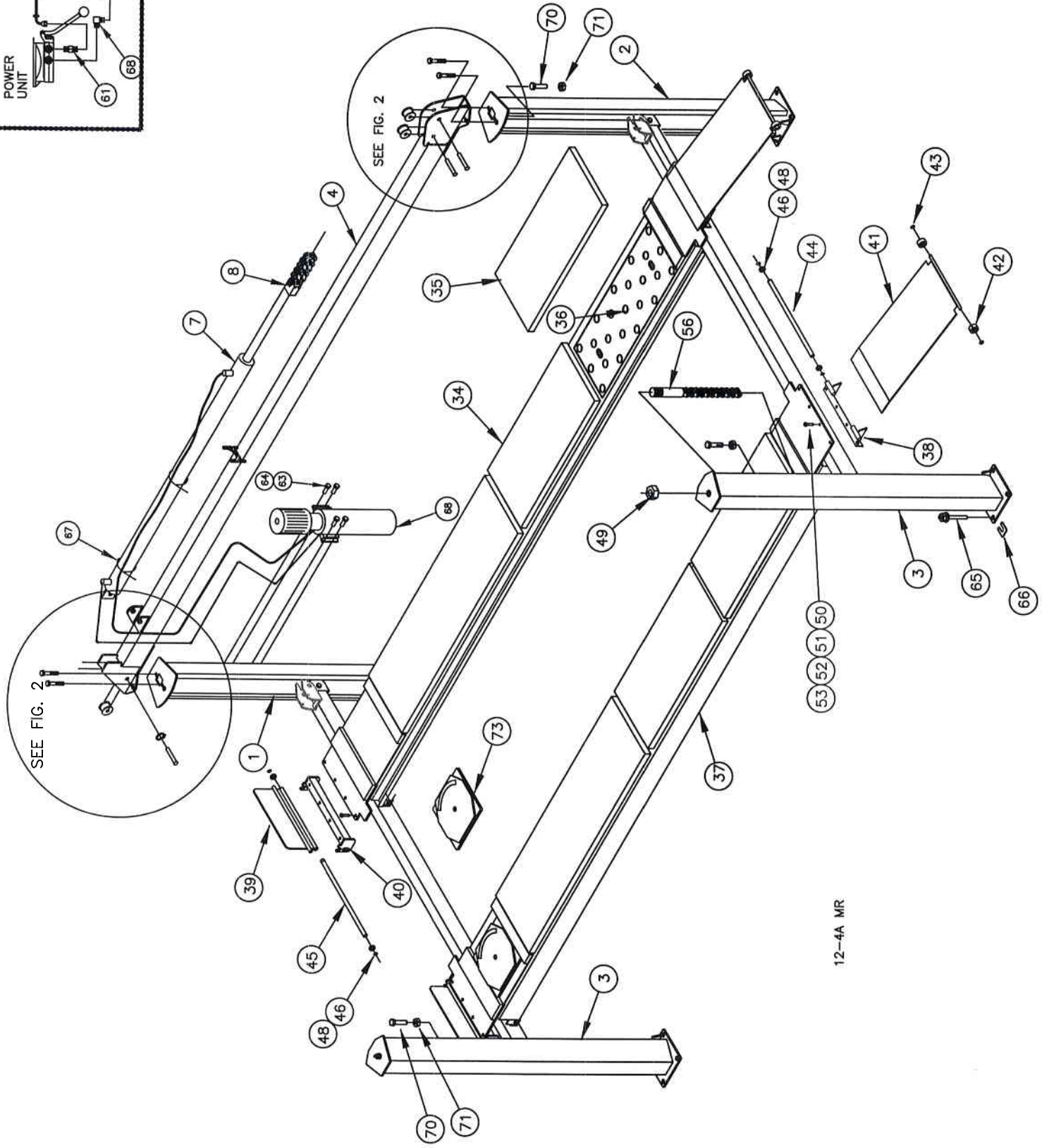


FIG. 1



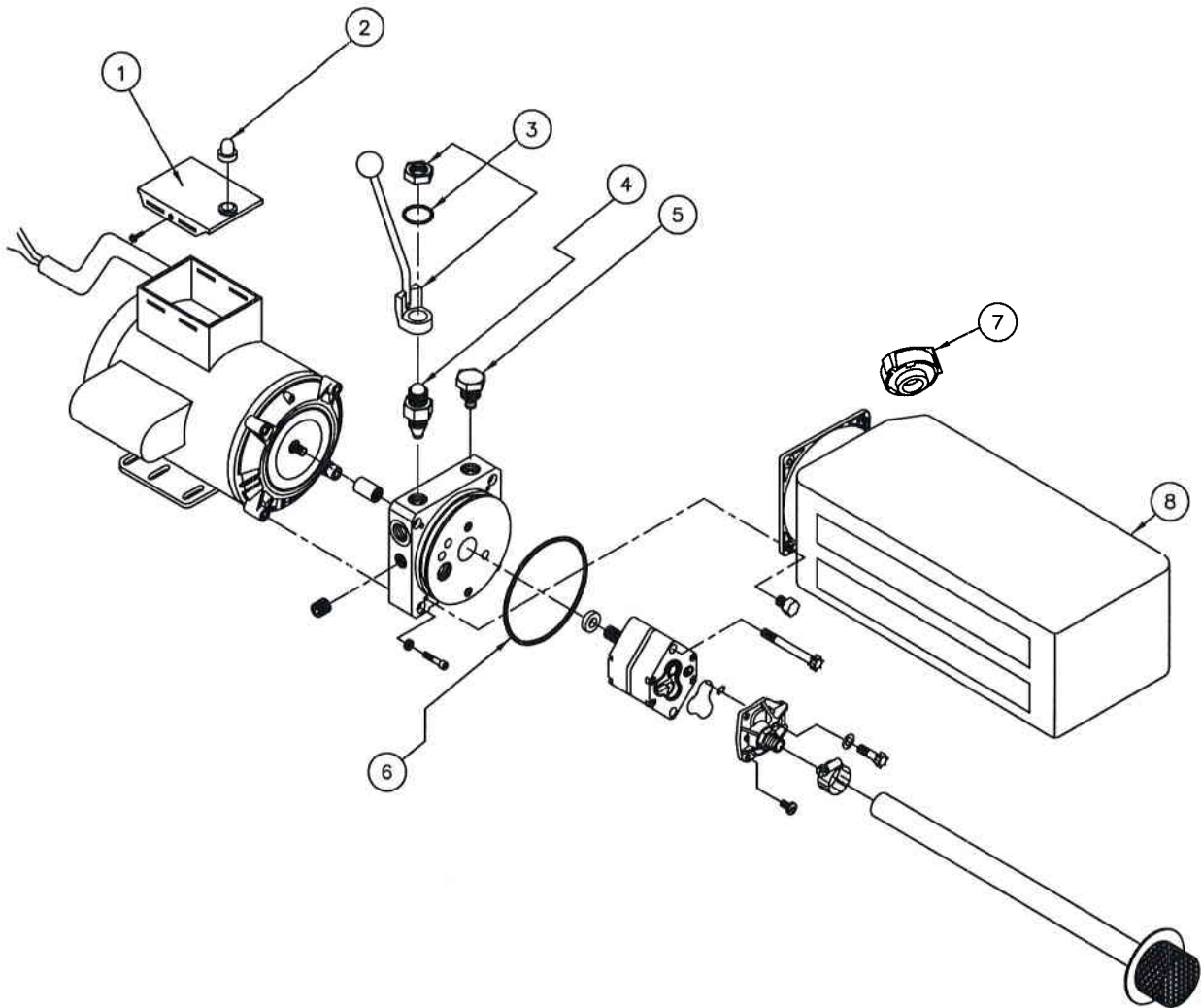
12-4A MR

PARTS LISTING

09/01/04

		LIFT MODEL	12000-A MR
		LIFT PART NUMBER	90135 QT
1	POST STRUCTURE - MAIN P/U	91794	1
2	POST STRUCTURE - MAIN REAR	91900	1
3	POST STRUCTURE - OFFSIDE	91905	2
4	HORIZONTAL BEAM STRUCTURE	91807	1
5	SHEAVE ASSEMBLY - LIFTING CHAIN	91816	1
6	SHAFT ASSEMBLY - UPPER, HORIZONTAL	91862	3
7	CYLINDER	91132	1
8	CHAIN ANCHOR - CYLINDER	91776	1
9	CYLINDER PIN - 4 POST	91134	1
10	ROLL PIN 1/4" X 2"	103003	2
#	CROSS TUBE ASSEMBLY - LEFT ACTUATED	91930	1
#	CROSS TUBE ASSEMBLY - RIGHT ACTUATED	91952	1
11	CROSS TUBE STRUCTURE LEFT ACTUATED	91931	1
12	CROSS TUBE STRUCTURE RIGHT ACTUATED	91929	1
13	SPRING - RELEASE LOCK	91934	1
14	BOLT - EYE 1/4 X 4	91935	1
15	PIVOT - RETURN SPRING	91936	1
16	1/4" X 20 NYLOCK NUT	101009	1
17	SHEAVE ASSEMBLY - CROSS CHAIN	91825	2
18	LATCH STRUCTURE, MANUAL RH	91990	1
19	LATCH STRUCTURE, MANUAL LH	91991	1
20	ARM STRUCTURE - LEFT ACTUATOR	91940	1
21	HANDLE STRUCTURE - LEFT ACTUATOR	91943	1
22	ARM STRUCTURE - RIGHT ACTUATOR	91947	1
23	HANDLE STRUCTURE - RIGHT ACTUATOR	91948	1
24	ROD - TIE	91949	2
25	END - YOKE, ADJUSTABLE	91950	2
26	PIN - CLEVIS, 1-1/8"	91951	2
27	PIN - COTTER, 1/8" X 3/4" LONG	100175	2
28	SHAFT ASSEMBLY - UPPER, CROSSMEMBER	91864	4
29	ANCHOR - LIFTING CHAIN	91775	1
30	SPACER 1" PIPE X .44	91859	2
31	SPACER - SPRING	91997	1
32	RETAINER - EYE BOLT	91998	1
33	FLATWASHER 1/4" SAE	100065	1
34	TRACK STRUCTURE - RH	91908	1
35	SLIP PLATE STRUCTURE	91922	2
36	CHROME STEEL BALL 1-1/8	103013	46
37	TRACK STRUCTURE - LH	91927	1
38	BAR STRUCTURE - ADAPTER, RAMP	91839	2
39	STOP STRUCTURE - FRONT	91843	2
40	MOUNTING BRACKET - FRONT STOP	91847	2
#	RAMP ASSEMBLY - 12ALMAG	91865	2
41	RAMP STRUCTURE	91850	2
#	NON SKID ADHESIVE TAPE	56500	6
42	ROLLER - RAMP	91793	2
43	RETAINER 1/2"	91801	2
44	PIN - HINGE, RAMP	91792	2
45	PIN - HINGE, FRONT STOP	91785	2
46	SNAP RING 3/4"	103000	4
47	SNAP RING 1"	103029	13
48	FLATWASHER 3/4" SAE	100512	9

LIFT MODEL		12000-A MR	
LIFT PART NUMBER		90135	QT
49	NYLOCK NUT 3/4 X 10 NC	101035	2
50	HEX SCREW 1/2 X 13NC X 2 GR. 5	100016	20
51	FLATWASHER 1/2	100152	36
52	LOCKWASHER 1/2	100125	20
53	HEX NUT 1/2 X 13NC	100124	12
#	CHAIN KIT	91869	1
	54 CHAIN - LONG 666 X 369LKS (276-3/4")	91790	1
	55 CHAIN - SHORT 666 X 125 LKS (93-3/4")	91788	1
	# CHAIN - CROSS 644 X 273 LKS (204-3/4")	91789	2
	56 ANCHOR - ADJUSTMENT	91781	2
	57 PIN - CHAIN, LIFTING	91778	4
	# PIN - CHAIN, CROSSOVER	91779	4
	58 RETAINING RING 5/16"	103032	16
59	HYDRAULIC HOSE 145"	91860	1
60	3/8 TUBING 75"	91861	1
61	ADAPTER 9/16ORB X 9/16JIC	60544	1
62	ELBOW 3/8 MALE NPT X 9/16JIC	105004	2
#	HARDWARW KIT - POWER UNIT	95009	1
	63 HHFL SCREW 5/16 X 18NC X 3/4 GR.5	100234	4
	64 HH FL NUT 5/16 X 18NC	100237	4
65	ANCHOR BOLT 3/4 X 5-1/2	95000	16
66	SHIMS	95001	24
67	PLASTIC TIE	103015	2
68	POWER UNIT 1 PHASE 220V	95011	1
69	MALE ELBOW 3/8"NPT X 3/8" TUBING	105049	2
70	HHCS 3/4 X 6	101033	3
71	NUT 3/4" X 10NC	101006	3
72	FLATWASHER 1/2" SAE	100141	2
73	ADAPTER 9/16ORB X 3/8 NPT	105065	1
#	NAME PLATE	62249	1
#	BEN PEARSON DECAL	95005	2
#	PB/800 DECAL 2X5 MYLAR	95006	1
#	CAUTION DECAL 12000LB	95008	1
#	BLUE TOUCH-UP PAINT (SPRAY)	103007	1
#	YELLOW TOUCH-UP PAINT (SPRAY)	103008	1
#	MANUAL	95089	1
#	WARRANTY CARD	83423	1
#	ALI DECALS, 4-POST	95164	1
	ACCESSORIES		
74	TURNTABLE	90065	1



ITEM NO.	DESCRIPTION	PART #	QTY.
1	MICROSWITCH WIRING ASSY	95086	1
2	MICROSWITCH BOOT	95075	1
3	MANUAL RELEASE ASSY	95041	1
4	MANUAL RELEASE VALVE	95035	1
5	VALVE CARTRIDGE CHECK	95036	1
6	RESERVOIR O-RING	95076	1
7	BREATHER	95044	1
8	RESERVOIR	95040	1