

# **BEN PEARSON**

**PARTS MANUAL -**

**12000 ALX- AIR RELEASE**

**2912 W. 2ND.  
PINE BLUFF, ARKANSAS 71601  
1-800-436-1327**

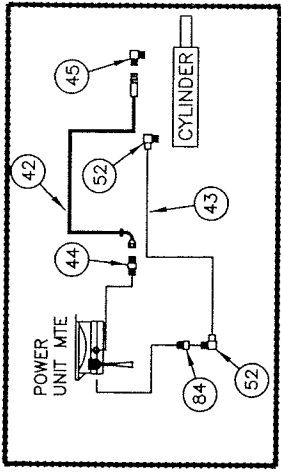
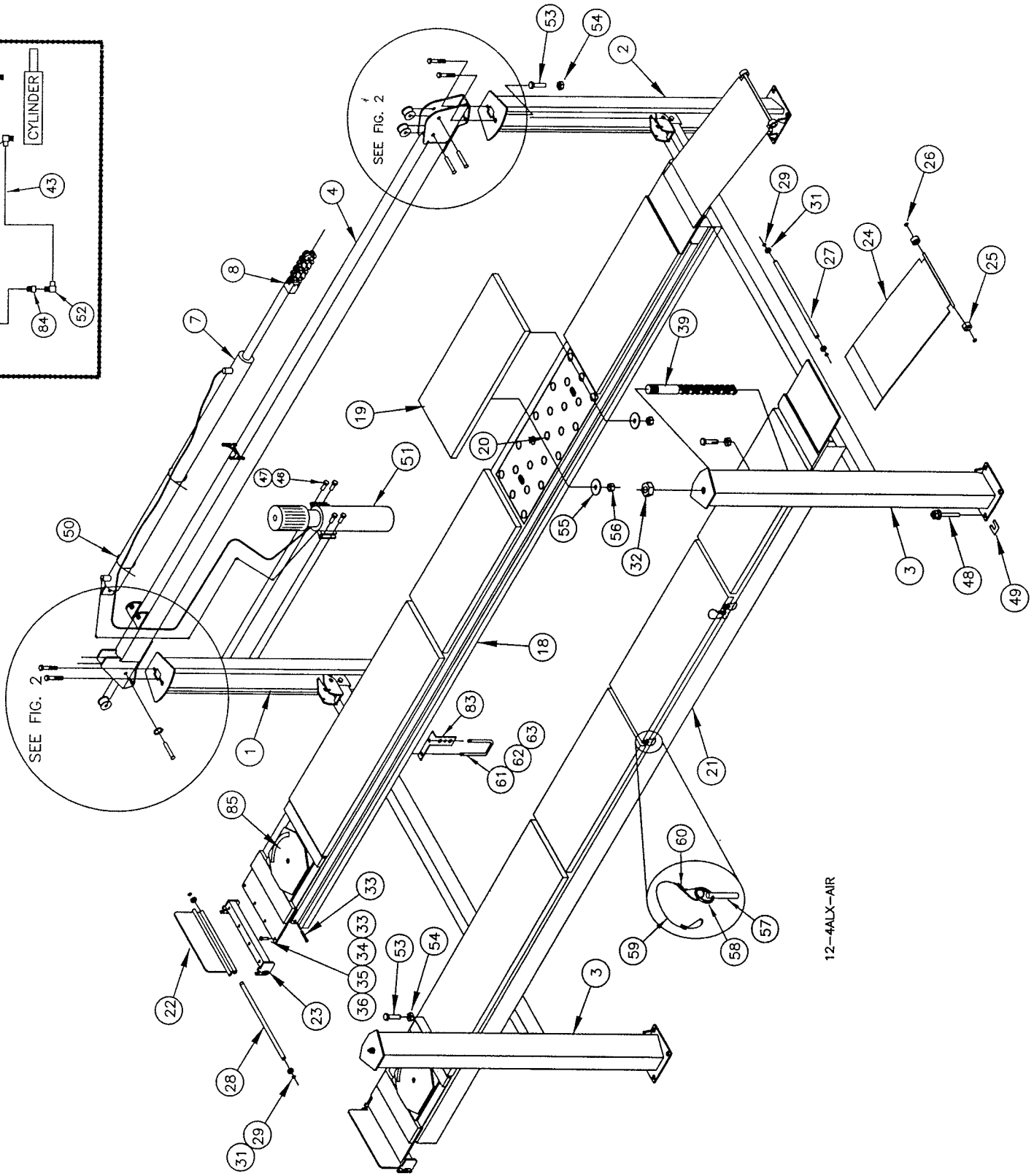
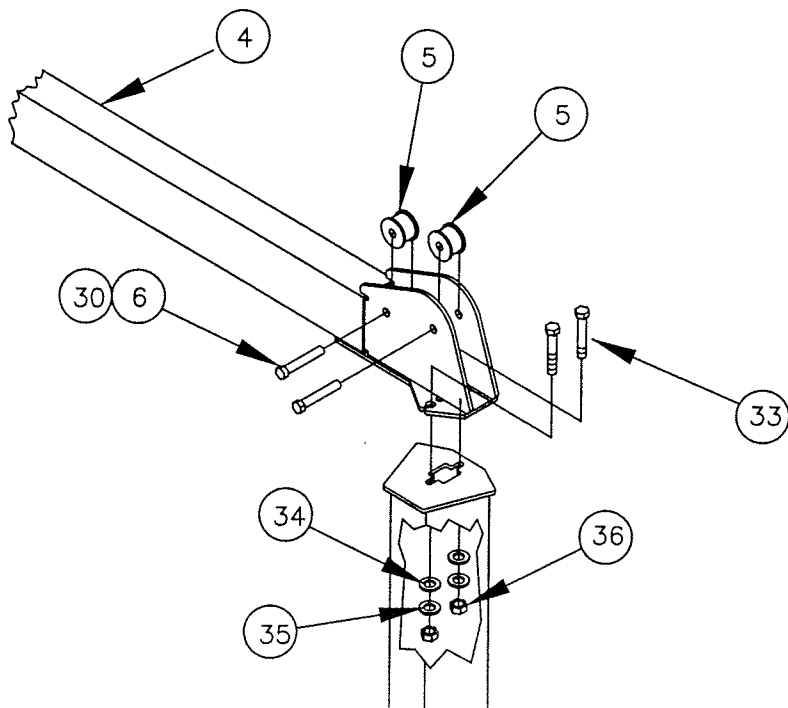
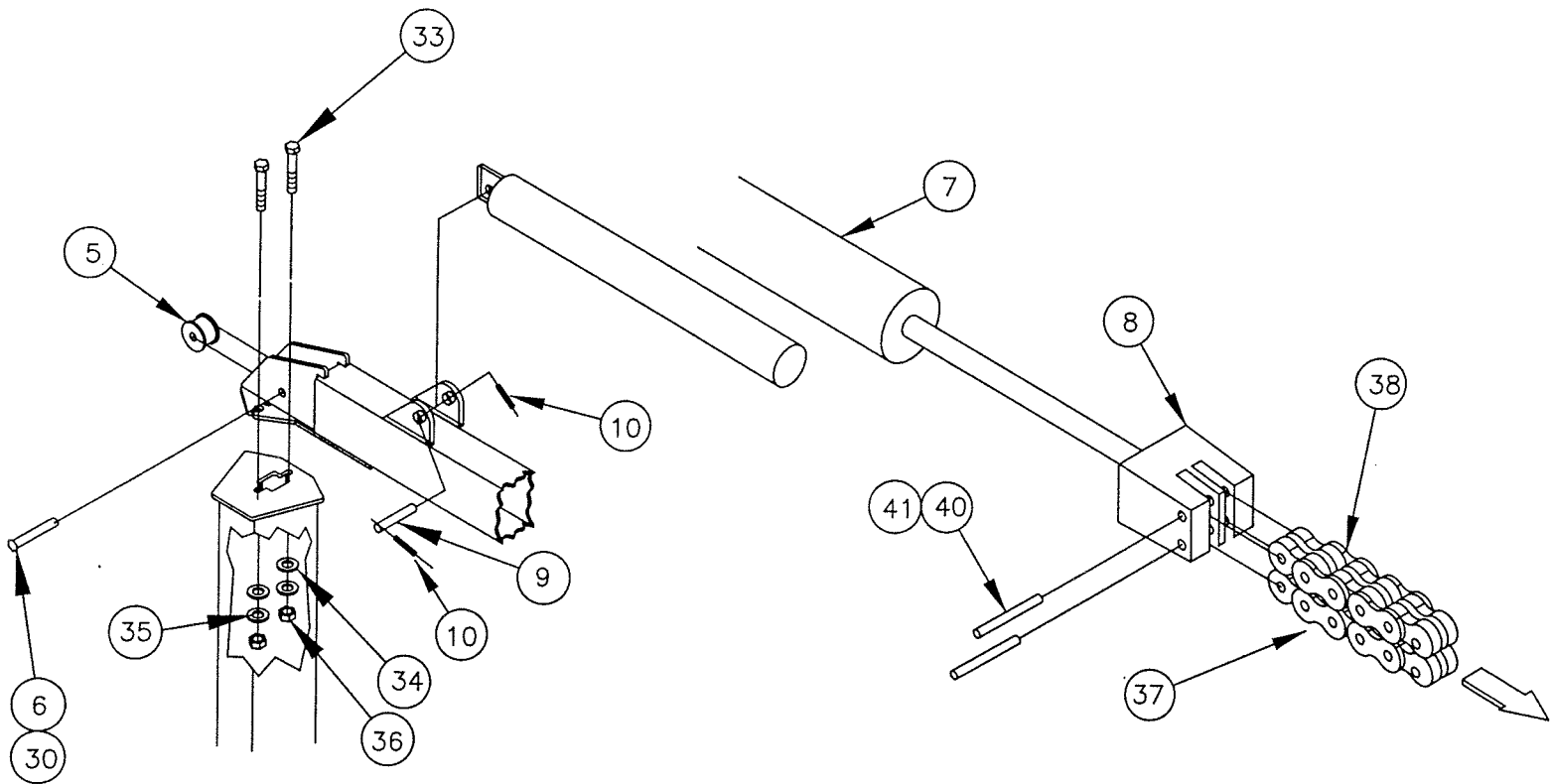


FIG. 1



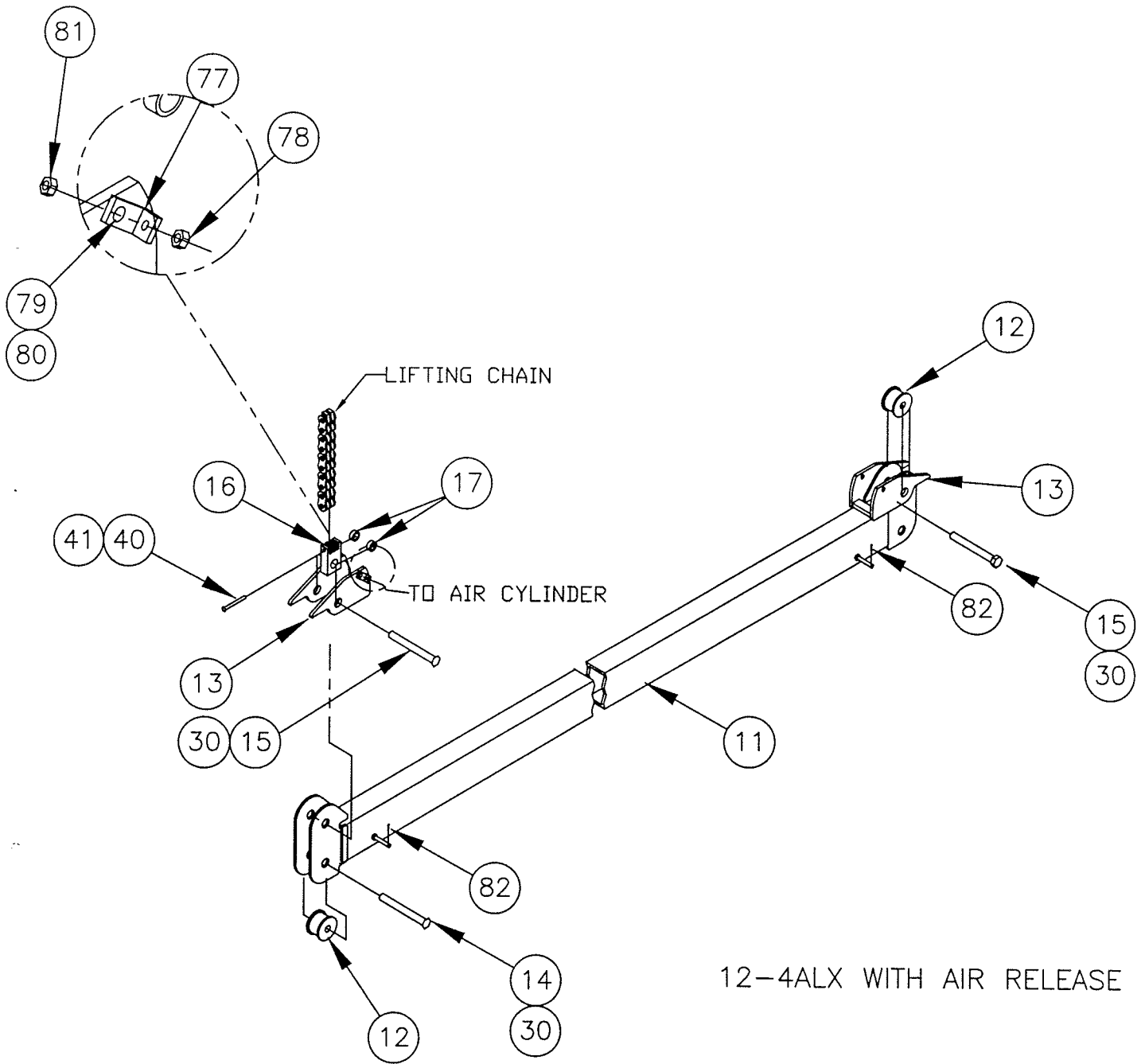
12-4ALX-AIR

FIG. 2



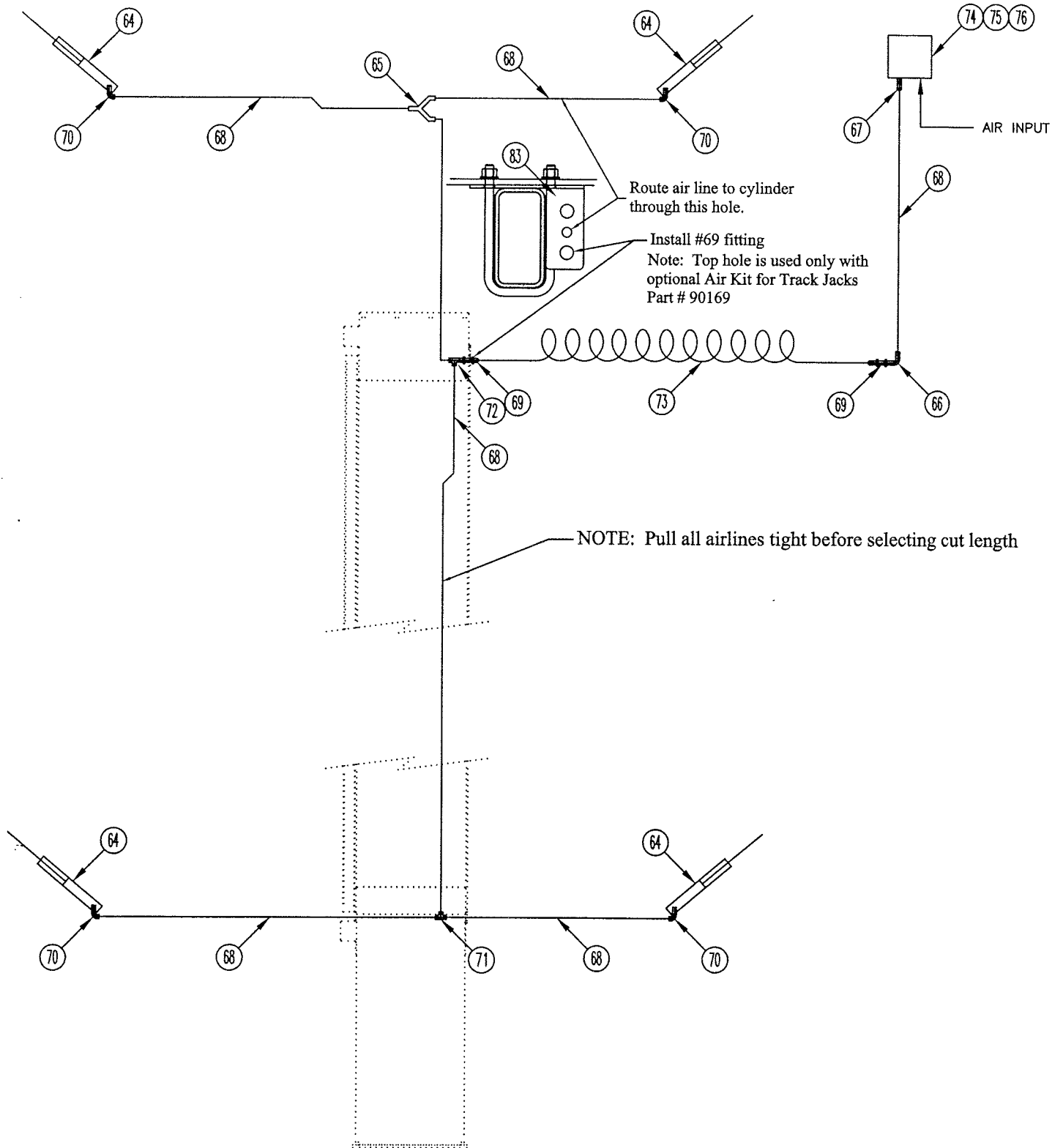
12-4ALX AIR

FIG. 3



# Schematic for Air Release System ALX/ALXE - AIR

## FIG. 4



## PARTS LISTING

09/01/04

		LIFT MODEL	12-ALX AIR		12-ALXE AIR	
		LIFT PART NUMBER	90159	QT	90170	QT
1	POST STRUCTURE - MAIN P/U	91794	1		91794	1
2	POST STRUCTURE - MAIN REAR	91900	1		91900	1
3	POST STRUCTURE - OFFSIDE	91905	2		91905	2
4	HORIZONTAL BEAM STRUCTURE - SHORT	91875	1		91807	1
5	SHEAVE ASSEMBLY - LIFTING CHAIN	91816	3		91816	3
6	SHAFT ASSEMBLY - UPPER, HORIZONTAL	91862	3		91862	3
7	CYLINDER	91132	1		91132	1
8	CHAIN ANCHOR - CYLINDER	91776	1		91776	1
9	CYLINDER PIN - 4 POST	91134	1		91134	1
10	ROLL PIN 1/4" X 2"	103003	2		103003	2
#	CROSS TUBE ASSEMBLY	91819	2		91819	2
	11 CROSS TUBE STRUCTURE	91820	1		91820	1
	12 SHEAVE ASSEMBLY - CROSS CHAIN	91825	2		91825	2
	13 LATCH STRUCTURE	91826	2		91826	2
	14 SHAFT ASSEMBLY - LOWER, CROSSMEMBER	91863	1		91863	1
	15 SHAFT ASSEMBLY - UPPER, CROSSMEMBER	91864	2		91864	2
	16 ANCHOR - LIFTING CHAIN	91775	1		91775	1
	17 SPACER 1" PIPE X .44	91859	2		91859	2
			1			1
18	TRACK ASSEMBLY - RH	92044	1		92170	1
	19 SLIP PLATE STRUCTURE	91922	2		91922	2
	20 CHROME STEEL BALL 1-1/8	103013	46		103013	46
21	TRACK STRUCTURE - LH	92045	1		92174	1
	19 SLIP PLATE STRUCTURE	91922	2		91922	2
	20 CHROME STEEL BALL 1-1/8	103013	46		103013	46
22	STOP STRUCTURE - FRONT	91843	2		91843	2
23	MOUNTING BRACKET - FRONT STOP	91847	2		91847	2
24	RAMP STRUCTURE	92066	2		92066	2
#	# NON SKID ADHESIVE TAPE	56500	6		56500	6
25	ROLLER - RAMP	91793	2		91793	2
26	RETAINER 1/2"	91801	2		91801	2
27	PIN - HINGE, RAMP	91785	2		91785	2
28	PIN - HINGE, FRONT STOP	91785	2		91785	2
29	SNAP RING 3/4"	103000	8		103000	8
30	SNAP RING 1"	103029	13		103029	13
31	FLATWASHER 3/4" SAE	100512	8		100512	8
32	NYLOCK NUT 3/4 X 10 NC	101035	2		101035	2
33	HEX SCREW 1/2 X 13NC X 2 GR. 5	100016	14		100016	14
34	FLATWASHER 1/2	100152	24		100152	24
35	LOCKWASHER 1/2	100125	12		100125	12
36	HEX NUT 1/2 X 13NC	100124	12		100124	12
#	CHAIN KIT	92072	1		91869	1
	37 CHAIN - LONG 666 X 252-3/4" / 276-3/4"	91887	1		91790	1
	38 CHAIN - SHORT 666 X 125 LKS (93-3/4")	91788	1		91788	1
	# CHAIN - CROSS 644 X 273 LKS (204-3/4")	91789	2		91789	2
	39 ANCHOR - ADJUSTMENT	91781	2		91781	2
	40 PIN - CHAIN, LIFTING	91778	4		91778	4
	# PIN - CHAIN, CROSSOVER	91779	4		91779	4
	41 RETAINING RING 5/16"	103032	16		103032	16

		LIFT MODEL		12-ALX AIR		12-ALXE AIR	
		LIFT PART NUMBER		90159	QT	90170	QT
42	HYDRAULIC HOSE 125" / 145"	91889	1	91860	1		
43	3/8 TUBING 61" / 75	91892	1	91861	1		
44	ADAPTER 9/16ORB X 9/16JIC	60544	1	60544	1		
45	ELBOW 3/8 MALE NPT X 9/16JIC	105004	1	105004	1		
#	HARDWARW KIT - POWER UNIT	95009	1	95009	1		
	46 HHFL SCREW 5/16 X 18NC X 3/4 GR.5	100234	4	100234	4		
	47 HH FL NUT 5/16 X 18NC	100237	4	100237	4		
48	ANCHOR BOLT 3/4 X 5-1/2	95000	16	95000	16		
49	SHIMS	95001	24	95001	24		
50	PLASTIC TIE	103015	2	103015	2		
51	POWER UNIT 1 PHASE 220V	95011	1	95011	1		
52	MALE ELBOW 3/8"NPT X 3/8" TUBING	105049	2	105049	2		
53	HHCS 3/4 X 6	101033	3	101033	3		
54	NUT 3/4" X 10NC	101006	3	101006	3		
55	WASHER	91343	4	91343	4		
56	NYLON NUT 3/4-16NF	101001	4	101001	4		
57	PIN (5/16 X 2)	91344	4	91344	4		
58	CHAIN RING	103014	4	103014	4		
59	CABLE ( 7-1/2")	91345	4	91345	4		
60	CABLE CLAMP - SHUT OFF	91086	8	91086	8		
61	U-BOLT 3/8 X 16NCX7-1/2X3-1/8ID SQ. BEND	101039	4	101039	4		
62	LOCKING NUT 3/8-16NC	100083	8	100083	8		
63	FLATWASHER 3/8" SAE	100082	8	100082	8		
#	AIRLINE KIT ( FIG. 4)	90033	1	90033	1		
	64 CYLINDER - AIR ACTUATING	91787	4	91787	4		
	65 Y CONNECTOR 1/4" TUBING	105046	1	105046	1		
	66 MALE ELBOW 1/4" NPT	105047	1	105047	1		
	67 MALE CONNECTOR 1/8NPT	105048	1	105048	1		
	68 1/4" TUBING	50100	50	50100	50		
	69 ANCHOR COUPLING	105050	2	105050	2		
	70 MALE ELBOW 1/8" NPT	105051	4	105051	4		
	71 UNION TEE 1/4" NPT	105052	1	105052	1		
	72 MALE RUN TEE 1/4" NPT	105053	1	105053	1		
	73 COIL HOSE 1/4 X 12'	105018	1	105018	1		
	74 AIR VALVE	105038	1	105038	1		
	75 ACTUATOR - AIR VALVE	105039	1	105039	1		
	76 MOUTING BRACKET	91688	1	91688	1		
	77 LINK - AIR VALVE	91867	1	91867	1		
	78 1/4-28NF HEX NUT	101034	4	101034	4		
	79 HFHSL SCREW 3/8-16NC X 1-1/4"	100382	4	100382	4		
	80 LOCKING NUT 3/8-16NC	100083	4	100083	4		
	81 1/4-28NF NYLON NUT	101022	4	101022	4		
	82 COTTER PIN 1/8 X 3/4	100175	4	100175	4		
83	MOUNTING BRACKET - AIR	92074	1	92074	1		
84	ADAPTER 9/16ORB X 3/8 NPT	105065	1	105065	1		
#	NAME PLATE	62249	1	62249	1		
#	BEN PEARSON DECAL	95005	2	95005	2		
#	PB/800 DECAL 2X5 MYLAR	95006	1	95006	1		
#	CAUTION DECAL 12000LB	95008	1	95008	1		
#	BLUE TOUCH-UP PAINT ( SPRAY)	103007	1	103007	1		
#	YELLOW TOUCH-UP PAINT (SPRAY)	103008	1	103008	1		
#	MANUAL	95089	1	95089	1		
#	WARRANTY CARD	83423	1	83423	1		
#	ALI DECALS, 4-POST	95164	1	95164	1		
	<b>ACCESSORIES</b>						
85	TURNTABLE	90065	2	90065	2		