

BEN PEARSON

PARTS MANUAL -

**12000 ALX-MR
12000 ALXE-MR**

**2912 W. 2ND.
PINE BLUFF, ARKANSAS 71601
1-800-436-1327**

12-4ALX-MR

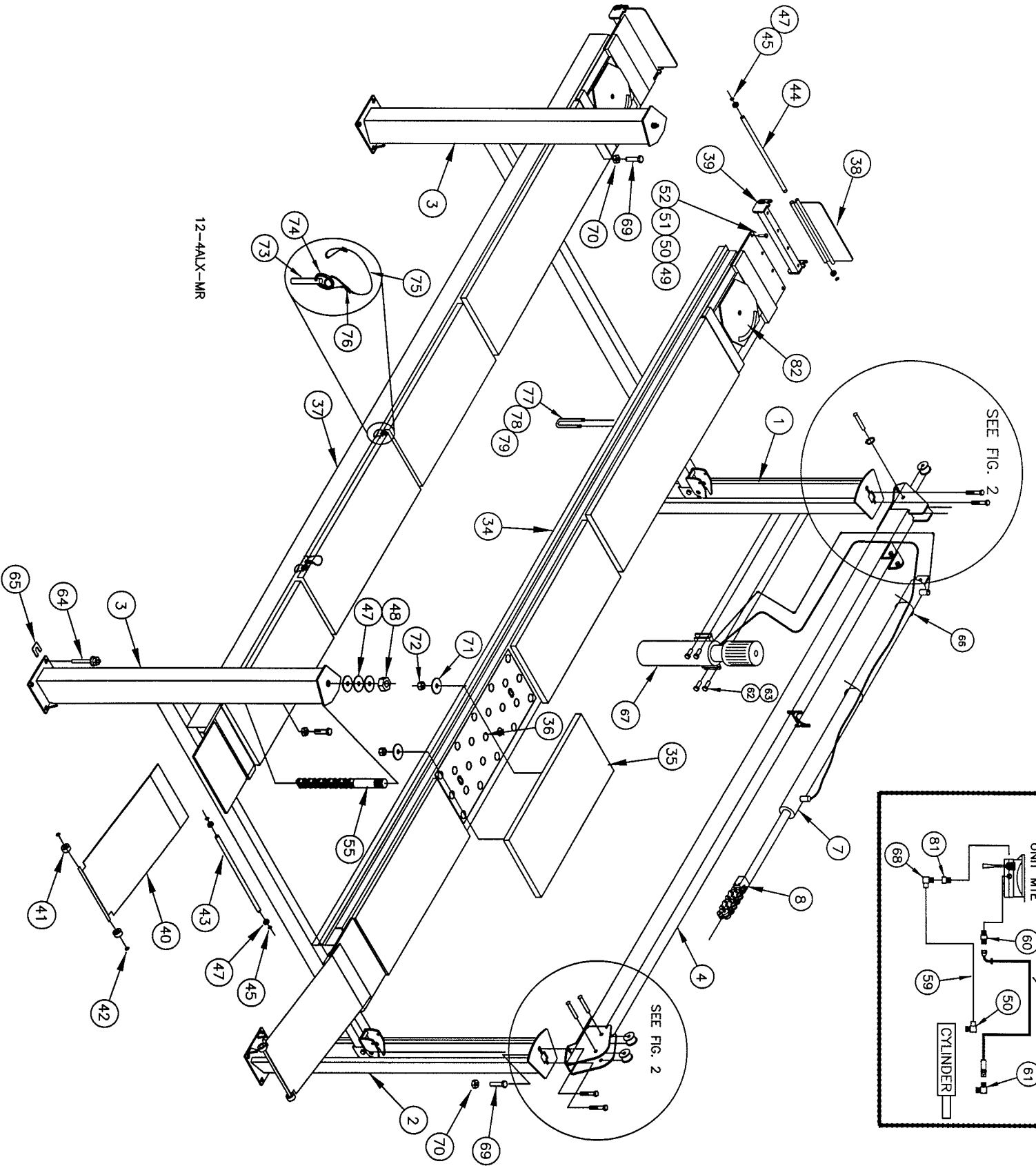


FIG. 1

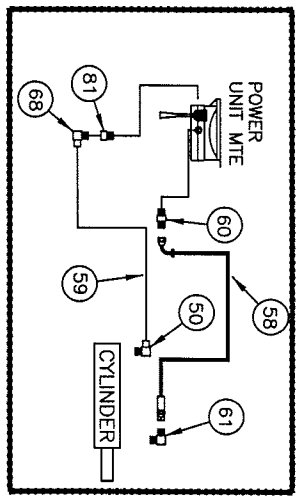
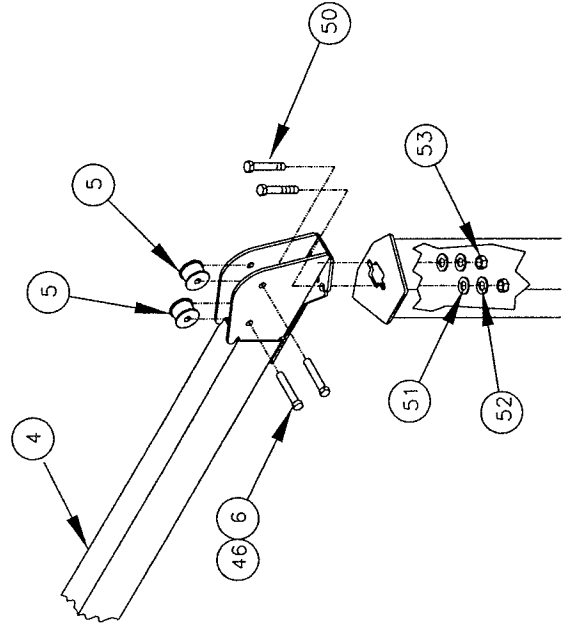
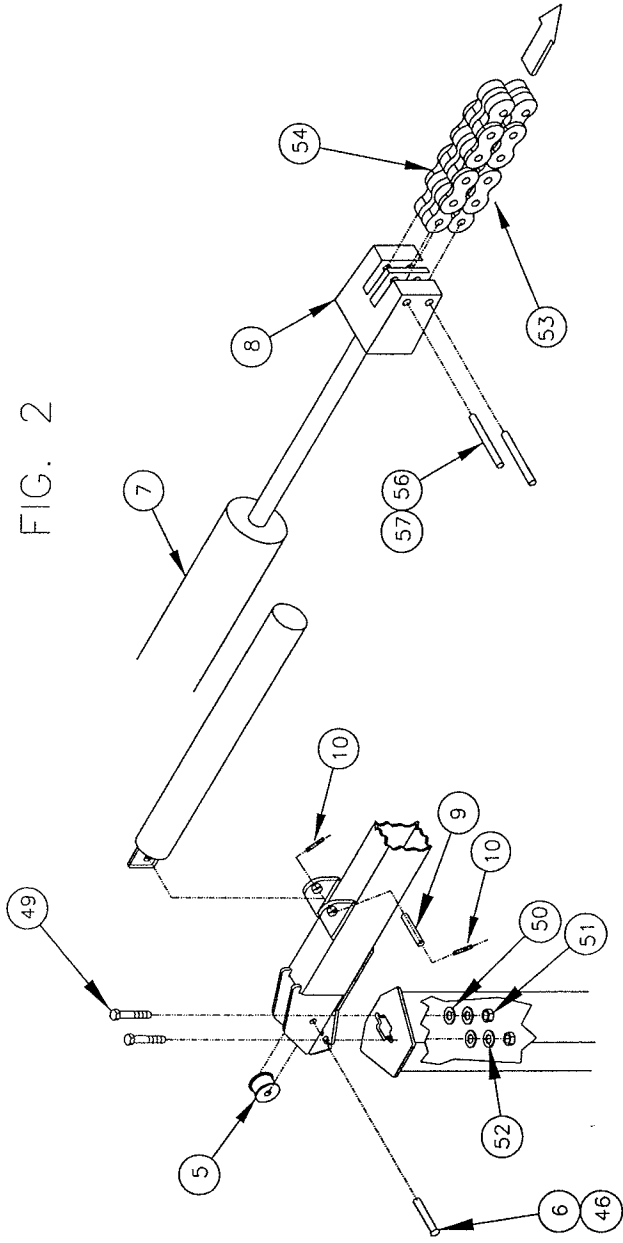
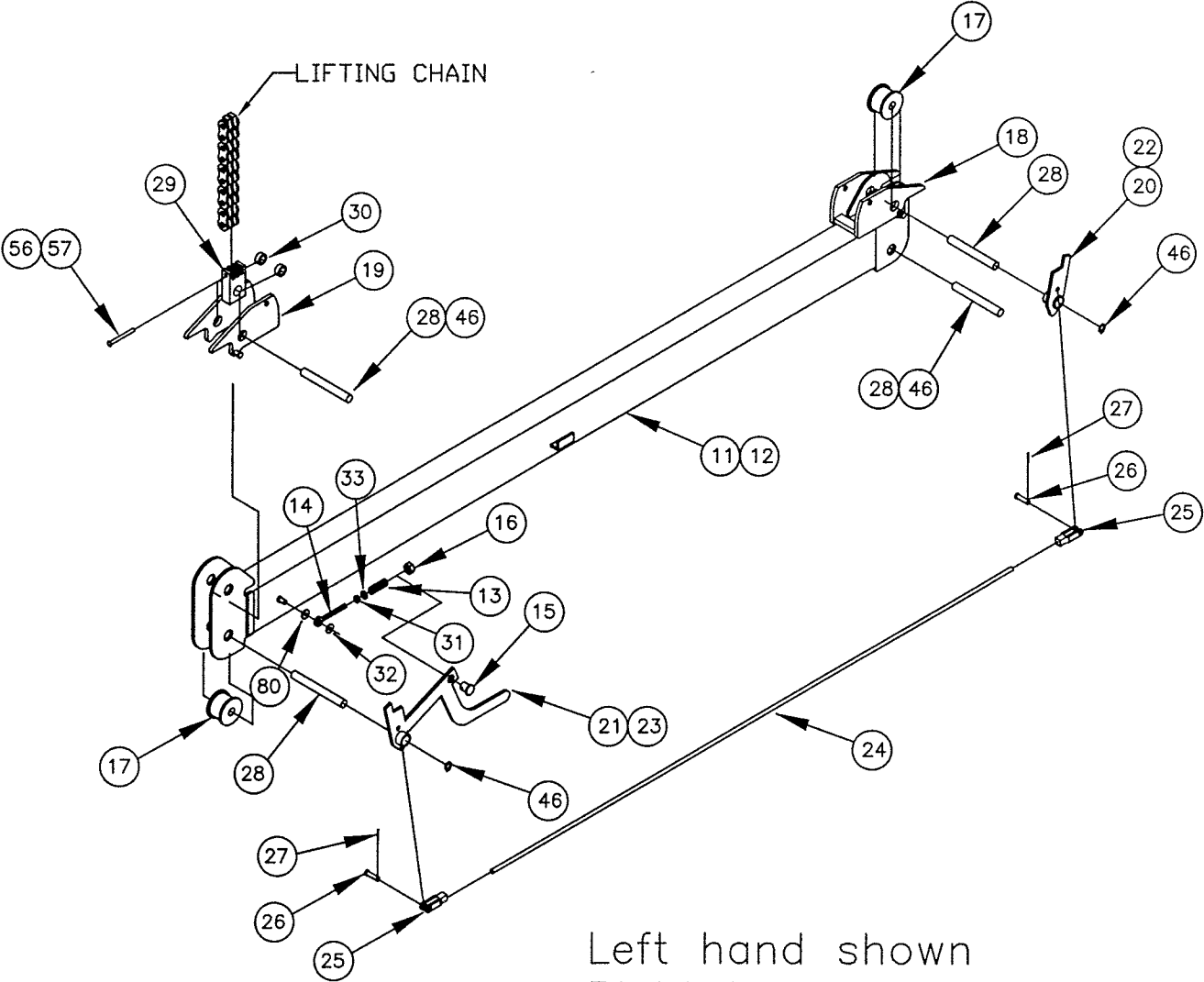


FIG. 2



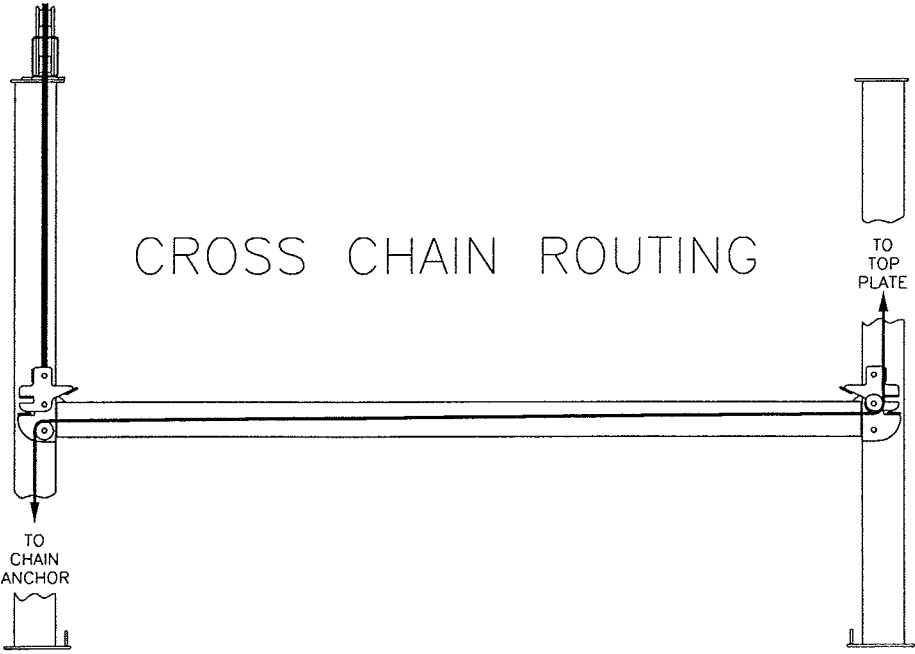
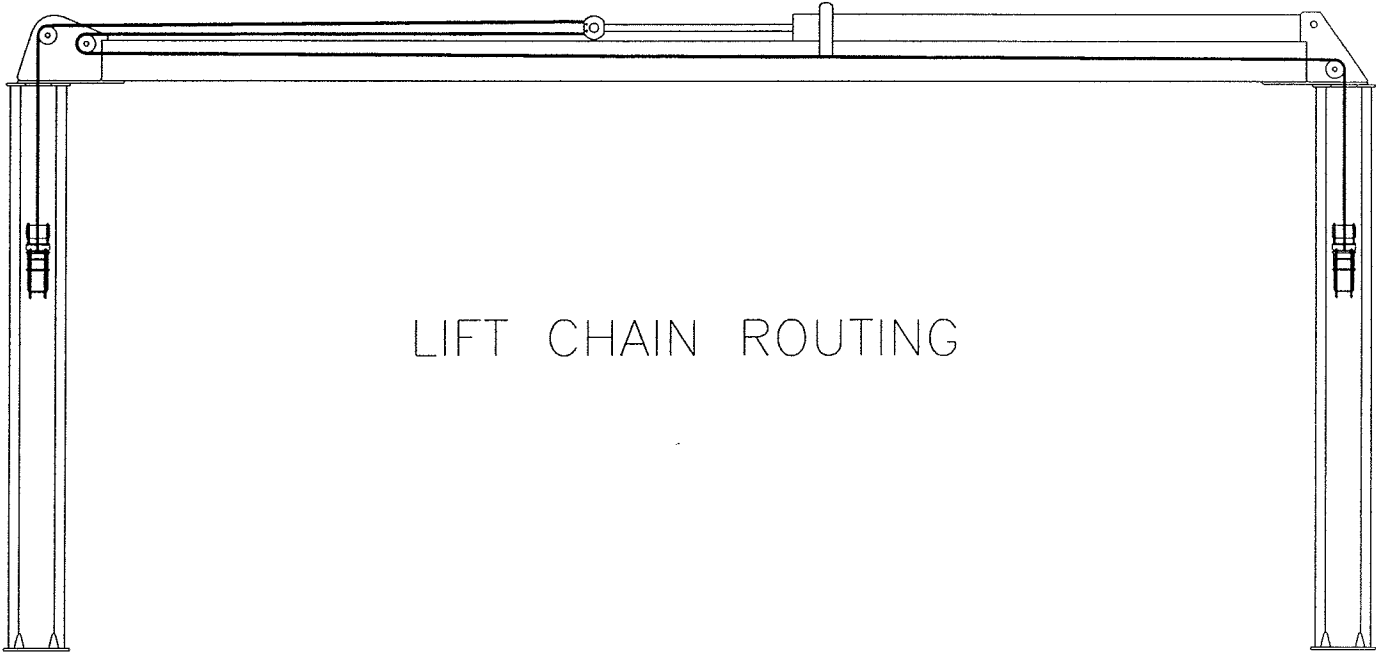
12-4ALX MR

FIG. 3
12-4ALX MR



Left hand shown
Right hand is opposite

Figure 4



PARTS LISTING

09/01/04

		LIFT MODEL	12-ALX MR		12-ALXE MR	
		LIFT PART NUMBER	90153	QT	90164	QT
1	POST STRUCTURE - MAIN P/U	91794	1		91794	1
2	POST STRUCTURE - MAIN REAR	91900	1		91900	1
3	POST STRUCTURE - OFFSIDE	91905	2		91905	2
4	HORIZONTAL BEAM STRUCTURE	91875	1		91807	1
5	SHEAVE ASSEMBLY - LIFTING CHAIN	91816	3		91816	3
6	SHAFT ASSEMBLY - UPPER, HORIZONTAL	91862	3		91862	3
7	CYLINDER	91132	1		91132	1
8	CHAIN ANCHOR - CYLINDER	91776	1		91776	1
9	CYLINDER PIN - 4 POST	91134	1		91134	1
10	ROLL PIN 1/4" X 2"	103003	2		103003	2
#	CROSS TUBE ASSEMBLY - LEFT ACTUATED	91930	1		91930	1
#	CROSS TUBE ASSEMBLY - RIGHT ACTUATED	91952	1		91952	1
	11 CROSS TUBE STRUCTURE LEFT ACTUATED	91931	1		91931	1
	12 CROSS TUBE STRUCTURE RIGHT ACTUATED	91929	1		91929	1
	13 SPRING - RELEASE LOCK	91934	1		91934	1
	14 BOLT - EYE 1/4 X 4	91935	1		91935	1
	15 PIVOT - RETURN SPRING	91936	1		91936	1
	16 1/4" X 20 NYLOCK NUT	101009	1		101009	1
	17 SHEAVE ASSEMBLY - CROSS CHAIN	91825	2		91825	2
	18 LATCH STRUCTURE, MANUAL RH	91990	1		91990	1
	19 LATCH STRUCTURE, MANUAL LH	91991	1		91991	1
	20 ARM STRUCTURE - LEFT ACTUATOR	91940	1		91940	1
	21 HANDLE STRUCTURE - LEFT ACTUATOR	91943	1		91943	1
	22 ARM STRUCTURE - RIGHT ACTUATOR	91947	1		91947	1
	23 HANDLE STRUCTURE - RIGHT ACTUATOR	91948	1		91948	1
	24 ROD - TIE	91949	2		91949	2
	25 END - YOKE, ADJUSTABLE	91950	2		91950	2
	26 PIN - CLEVIS, 1-1/8"	91951	2		91951	2
	27 PIN - COTTER, 1/8" X 3/4" LONG	100175	2		100175	2
	28 SHAFT ASSEMBLY - UPPER, CROSSMEMBER	91864	4		91864	4
	29 ANCHOR - LIFTING CHAIN	91775	1		91775	1
	30 SPACER 1" PIPE X .44	91859	2		91859	2
	31 SPACER - SPRING	91997	1		91997	1
	32 RETAINER - EYE BOLT	91998	1		91998	1
	33 FLATWASHER 1/4" SAE	100065	1		100065	1
34	TRACK ASSEMBLY - RH	92044	1		92170	1
	35 SLIP PLATE STRUCTURE	91922	2		91922	2
	36 CHROME STEEL BALL 1-1/8	103013	46		103013	46
37	TRACK STRUCTURE - LH	92045	1		92174	1
	35 SLIP PLATE STRUCTURE	91922	2		91922	2
	36 CHROME STEEL BALL 1-1/8	103013	46		103013	46
38	STOP STRUCTURE - FRONT	91843	2		91843	2
39	MOUNTING BRACKET - FRONT STOP	91847	2		91847	2
40	RAMP STRUCTURE	92066	2		92066	2
#	# NON SKID ADHESIVE TAPE	56500	6		56500	6
41	ROLLER - RAMP	91793	2		91793	2
42	RETAINER 1/2"	91801	2		91801	2
43	PIN - HINGE, RAMP	91785	2		91785	2
44	PIN - HINGE, FRONT STOP	91785	2		91785	2
45	SNAP RING 3/4"	103000	8		103000	8
46	SNAP RING 1"	103029	19		103029	19
47	FLATWASHER 3/4" SAE	100512	14		100512	14

LIFT MODEL		12-ALX MR		12-ALXE MR	
LIFT PART NUMBER		90153	QT	90164	QT
48	NYLOCK NUT 3/4 X 10 NC	101035	2	101035	2
49	HEX SCREW 1/2 X 13NC X 2 GR. 5	100016	12	100016	12
50	FLATWASHER 1/2	100152	36	100152	36
51	LOCKWASHER 1/2	100125	20	100125	20
52	HEX NUT 1/2 X 13NC	100124	20	100124	20
#	CHAIN KIT	92072	1	91869	1
	53 CHAIN - LONG 666 X (252-3/4")/ (276-3/4")	91887	1	91790	1
	54 CHAIN - SHORT 666 X (93-3/4")	91788	1	91788	1
	# CHAIN - CROSS 644 X 273 LKS (204-3/4")	91789	2	91789	2
	55 ANCHOR - ADJUSTMENT	91781	2	91781	2
	56 PIN - CHAIN, LIFTING	91778	4	91778	4
	# PIN - CHAIN, CROSSOVER	91779	4	91779	4
	57 RETAINING RING 5/16"	103032	16	103032	16
58	HYDRAULIC HOSE 125" / 145"	91889	1	91860	1
59	3/8 TUBING 61" / 75	91892	1	91861	1
60	ADAPTER 9/16ORB X 9/16JIC	60544	1	60544	1
61	ELBOW 3/8 MALE NPT X 9/16JIC	105004	2	105004	2
#	HARDWARW KIT - POWER UNIT	95009	1	95009	1
	62 HHFL SCREW 5/16 X 18NC X 3/4 GR.5	100234	4	100234	4
	63 HH FL NUT 5/16 X 18NC	100237	4	100237	4
64	ANCHOR BOLT 3/4 X 5-1/2	95000	16	95000	16
65	SHIMS	95001	24	95001	24
66	PLASTIC TIE	103015	2	103015	2
67	POWER UNIT 1 PHASE 220V	95011	1	95011	1
68	MALE ELBOW 3/8"NPT X 3/8" TUBING	105049	2	105049	2
69	HHCS 3/4 X 6	101033	3	101033	3
70	NUT 3/4" X 10NC	101006	3	101006	3
71	WASHER	91343	4	91343	4
72	NYLON NUT 3/4-16NF	101001	4	101001	4
73	PIN (5/16 X 2)	91344	4	91344	4
74	CHAIN RING	103014	4	103014	4
75	CABLE (7-1/2")	91345	4	91345	4
76	CABLE CLAMP - SHUT OFF	91086	8	91086	8
77	U-BOLT 3/8 X 16NCX7-1/2X3-1/8ID SQ. BEND	101039	4	101039	4
78	LOCKING NUT 3/8-16NC	100083	8	100083	8
79	FLATWASHER 3/8" SAE	100082	8	100082	8
80	FLATWASHER 1/2" SAE	100141	2	100141	2
81	ADAPTER 9/16ORB X 3/8 NPT	105065	1	105065	1
#	NAME PLATE	62249	1	62249	1
#	BEN PEARSON DECAL	95005	2	95005	2
#	PB/800 DECAL 2X5 MYLAR	95006	1	95006	1
#	CAUTION DECAL 12000LB	95008	1	95008	1
#	BLUE TOUCH-UP PAINT (SPRAY)	103007	1	103007	1
#	YELLOW TOUCH-UP PAINT (SPRAY)	103008	1	103008	1
#	MANUAL	95089	1	95089	1
#	WARRANTY CARD	83423	1	83423	1
#	ALI DECALS, 4-POST	95164	1	95164	1
ACCESSORIES					
82	TURNTABLE	90065	2	90065	2