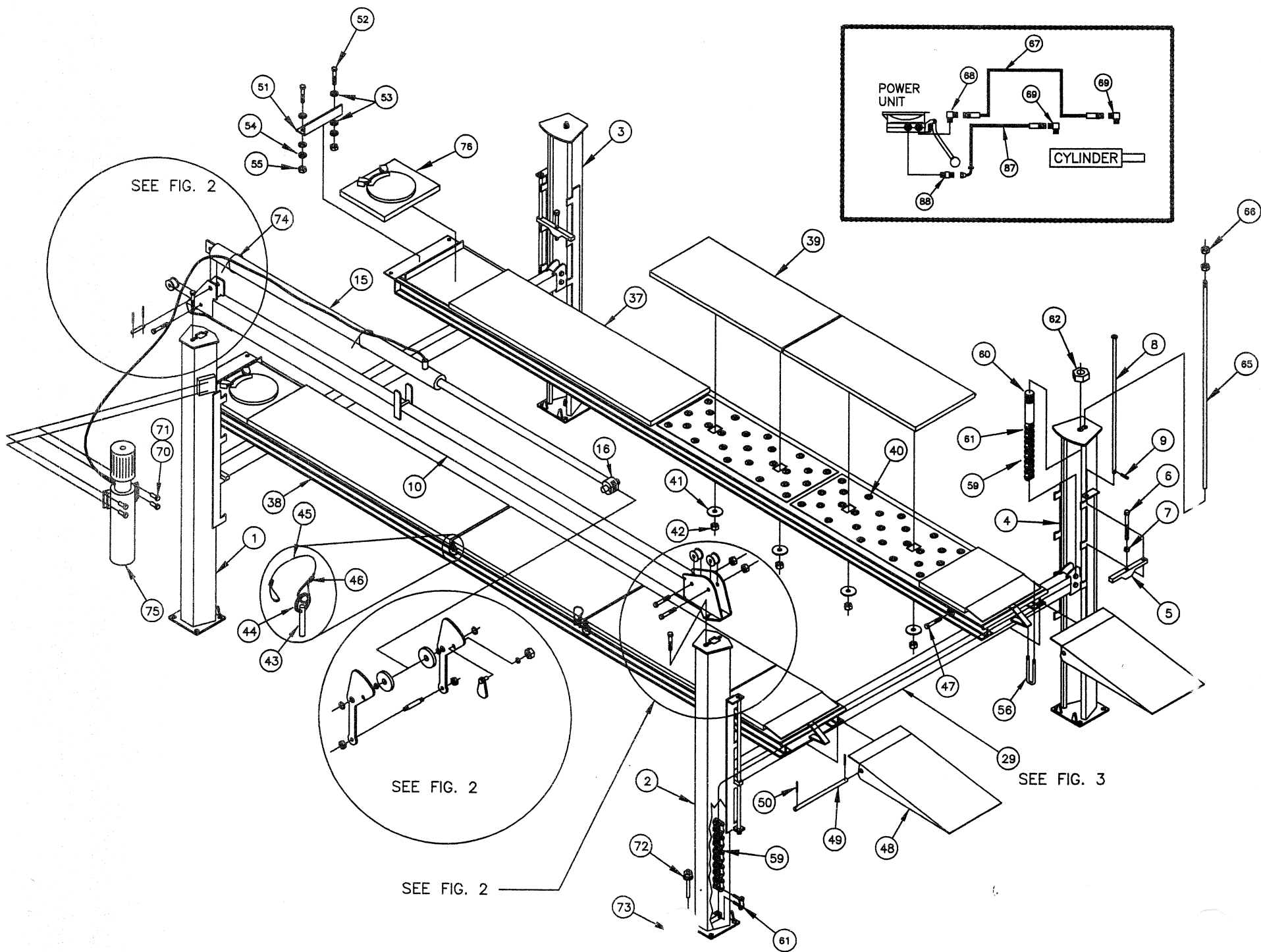


BEN PEARSON

**PARTS MANUAL - 12000 ALIGNMENT
4 POST LIFT**

**2912 W. 2ND.
PINE BLUFF, ARKANSAS 71601
1-800-436-1327
Part#95053**

11/98



SEE FIG. 2

SEE FIG. 2

SEE FIG. 2

SEE FIG. 3

FIG. 1

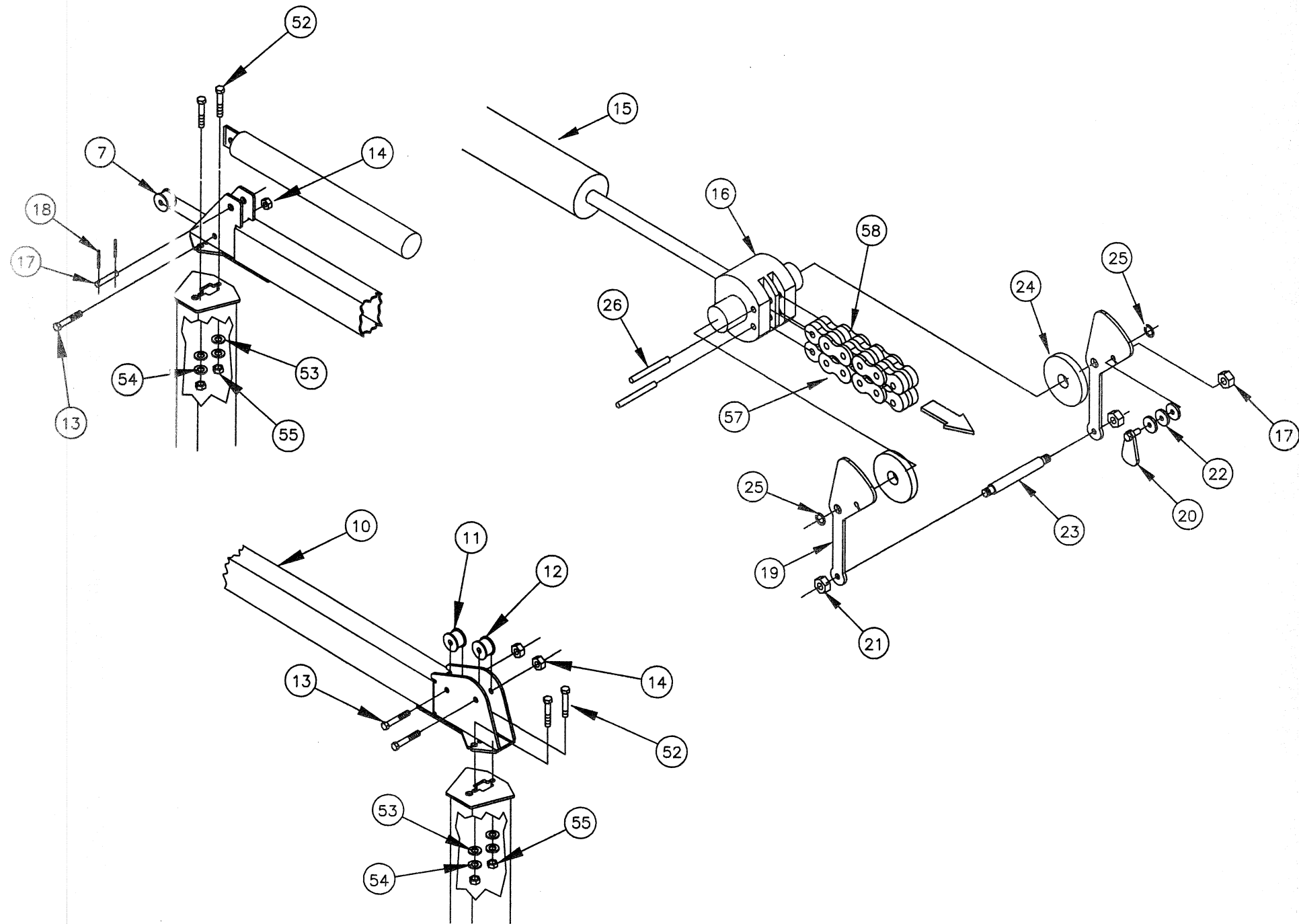


FIG. 2

FIG. 3

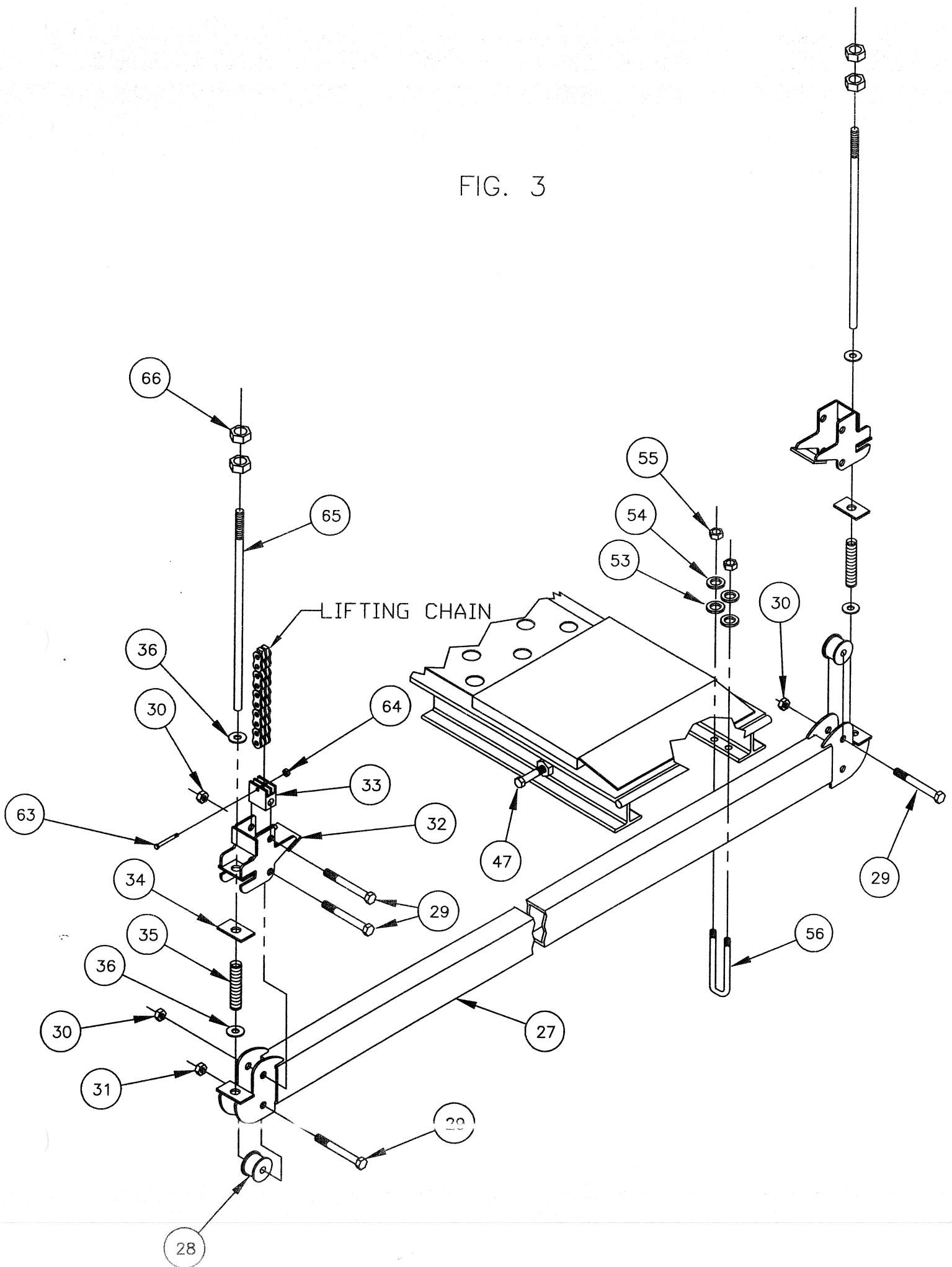
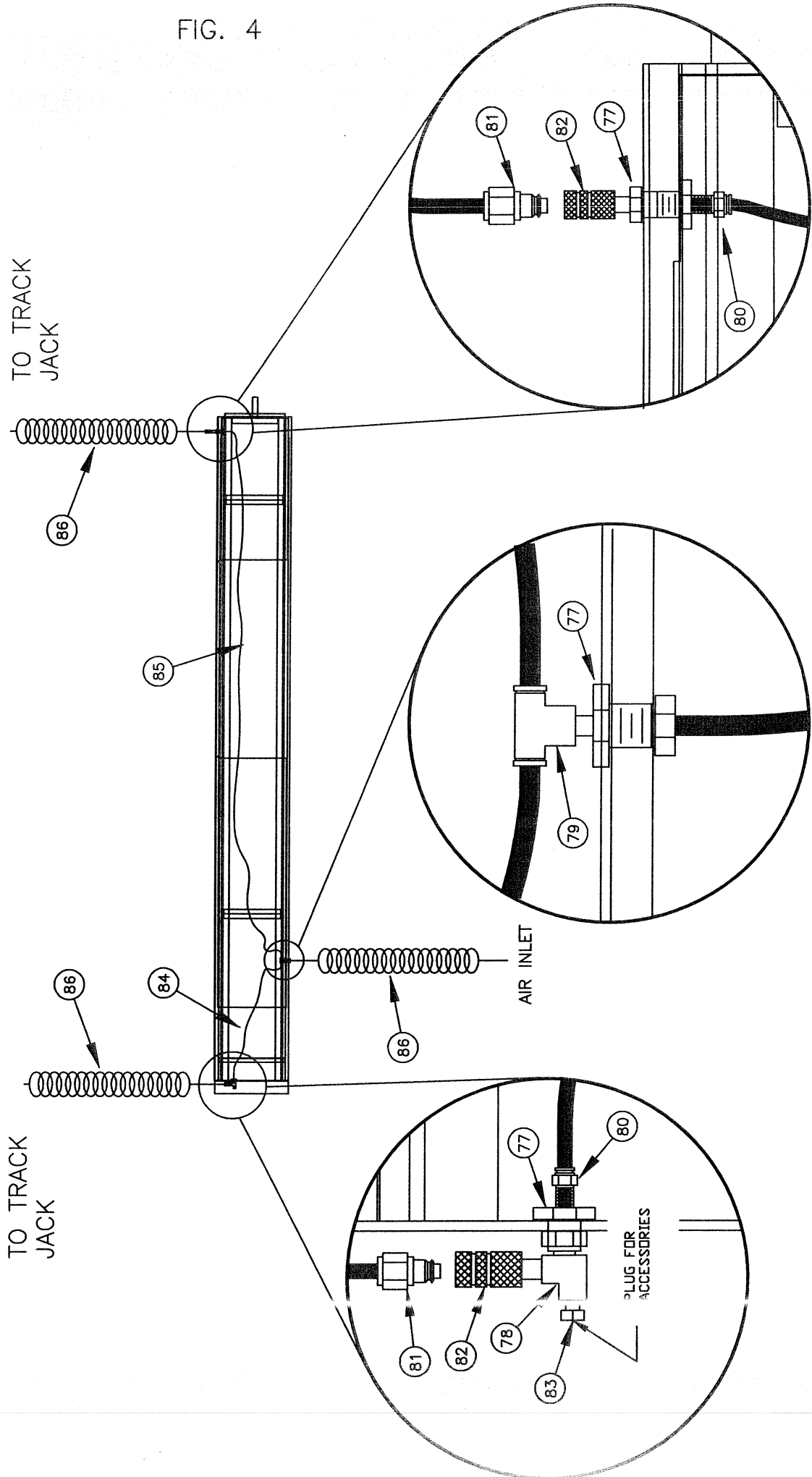


FIG. 4

LEFT HAND TRACK ONLY



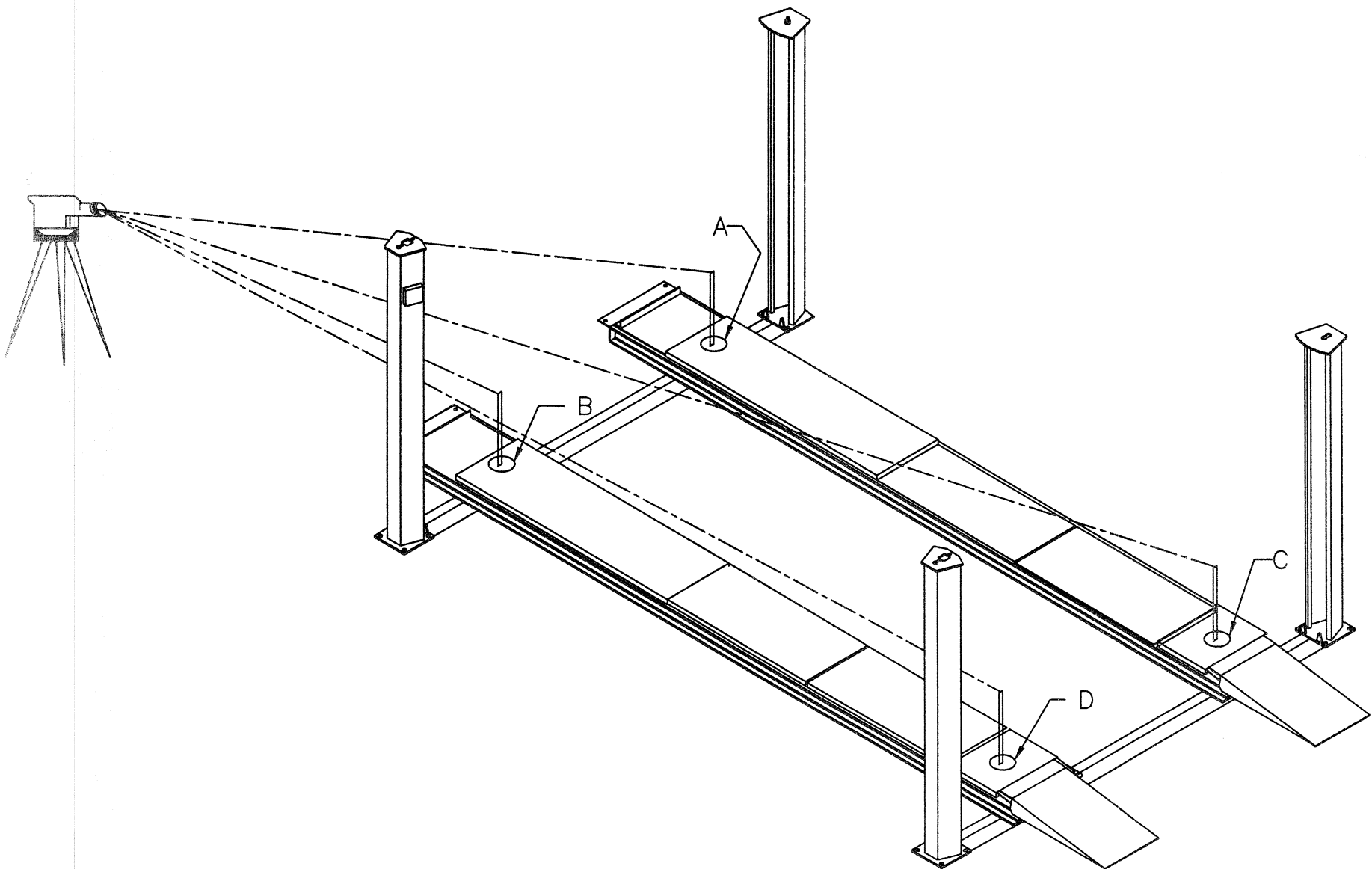
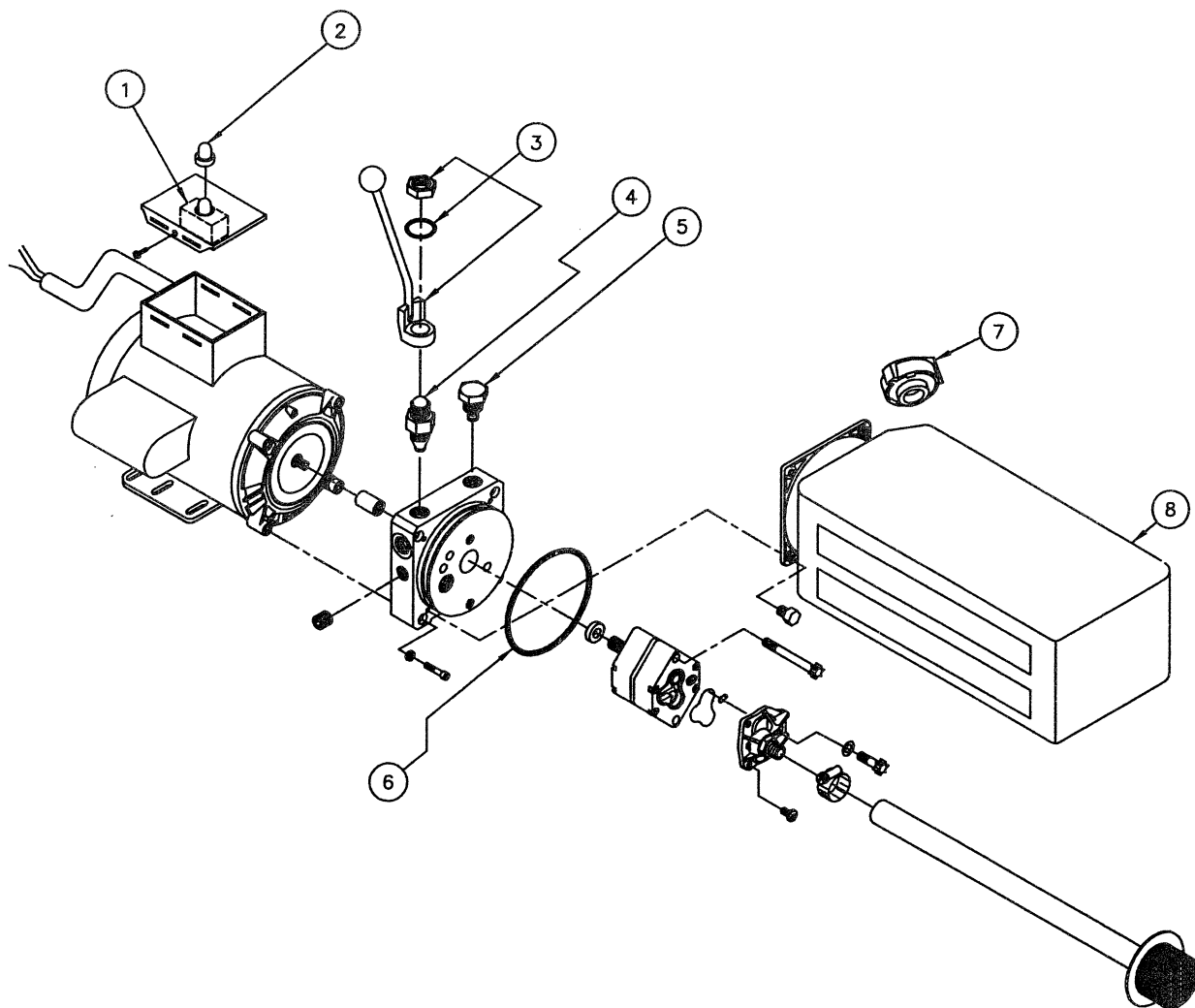


FIG. 5



ITEM NO.	DESCRIPTION	PART #	QTY.
1	MICROSWITCH	95074	1
2	MICROSWITCH BOOT	95075	1
3	MANUAL RELEASE ASSY	95041	1
4	MANUAL RELEASE VALVE	95035	1
5	VALVE CARTRIDGE CHECK	95036	1
6	RESERVOIR O-RING	95076	1
7	BREATHER	95044	1
8	RESERVOIR	95040	1

PARTS LISTING

12/09/99

		LIFT MODEL		12000-AL		12000-AS		12000-4 ML		12000-AR	
		LIFT PART NUMBER		90008	QT	90032	QT	90036	QT	90061	QT
#	POST ASSEMBLY - MAIN P/U	91300	1	91300	1	91300	1	91300	1	91300	1
	1 POST STRUCTURE - MAIN P/U	91301	1	91301	1	91301	1	91301	1	91301	1
	5 LEVELING BAR	91305	1	91305	1	91305	1	91305	1	91305	1
	6 LEVELING SCREW STR.	91306	1	91306	1	91306	1	91306	1	91306	1
	7 HEX NUT 3/4-10 NC	100161	1	100161	1	100161	1	100161	1	100161	1
	8 LEVELING ROD SUPPORT STR	91308	1	91308	1	91308	1	91308	1	91308	1
	9 ROLL PIN - 1/4" X 2"	103003	1	103003	1	103003	1	103003	1	103003	1
#	POST ASSEMBLY - MAIN REAR	91310	1	91310	1	91310	1	91310	1	91310	1
	2 POST STRUCTURE - MAIN REAR	91311	1	91311	1	91311	1	91311	1	91311	1
	5 LEVELING BAR	91305	1	91305	1	91305	1	91305	1	91305	1
	6 LEVELING SCREW STR.	91306	1	91306	1	91306	1	91306	1	91306	1
	7 HEX NUT 3/4-10 NC	100161	1	100161	1	100161	1	100161	1	100161	1
	8 LEVELING ROD SUPPORT STR	91308	1	91308	1	91308	1	91308	1	91308	1
	9 ROLL PIN - 1/4" X 2"	103003	1	103003	1	103003	1	103003	1	103003	1
#	POST ASSEMBLY - OFFSIDE FRONT	91312	1	91312	1	91312	1	91312	1	91312	1
	3 POST STRUCTURE - OFFSIDE FRONT	91313	1	91313	1	91313	1	91313	1	91313	1
	5 LEVELING BAR	91305	1	91305	1	91305	1	91305	1	91305	1
	6 LEVELING SCREW STR.	91306	1	91306	1	91306	1	91306	1	91306	1
	7 HEX NUT 3/4-10 NC	100161	1	100161	1	100161	1	100161	1	100161	1
	8 LEVELING ROD SUPPORT STR	91308	1	91308	1	91308	1	91308	1	91308	1
	9 ROLL PIN - 1/4" X 2"	103003	1	103003	1	103003	1	103003	1	103003	1
#	POST ASSEMBLY - OFFSIDE REAR	91314	1	91314	1	91314	1	91314	1	91314	1
	4 POST STRUCTURE - OFFSIDE REAR	91315	1	91315	1	91315	1	91315	1	91315	1
	5 LEVELING BAR	91305	1	91305	1	91305	1	91305	1	91305	1
	6 LEVELING SCREW STR.	91306	1	91306	1	91306	1	91306	1	91306	1
	7 HEX NUT 3/4-10 NC	100161	1	100161	1	100161	1	100161	1	100161	1
	8 LEVELING ROD SUPPORT STR	91308	1	91308	1	91308	1	91308	1	91308	1
	9 ROLL PIN - 1/4" X 2"	103003	1	103003	1	103003	1	103003	1	103003	1
#	HORIZONTAL BEAM ASSEMBLY	91316	1	91316	1	91119	1	91119	1	91119	1
	10 HORIZONTAL BEAM STR.	91318	1	91318	1	91121	1	91120	1	91120	1
	11 BEARING ASSEMBLY- LARGE	91038	1	91038	1	91038	1	91038	1	91038	1
	12 BEARING ASSEMBLY- SMALL	91130	2	91130	2	91130	2	91130	2	91130	2
	13 HHS 3/4 X 16NF X 4"	101005	3	101005	3	101005	3	101005	3	101005	3
	14 NYLON NUT 3/4 X 16NF	101001	3	101001	3	101001	3	101001	3	101001	3
	15 CYLINDER	91132	1	91132	1	91132	1	91132	1	91132	1
	16 CYLINDER ADAPTER	91133	1	91133	1	91133	1	91133	1	91133	1
17	CYLINDER PIN	91134	1	91134	1	91134	1	91134	1	91134	1
18	ROLL PIN 1/4" X 2"	103003	2	103003	2	103003	2	103003	2	103003	2

LIFT MODEL		12000-AL		12000-AS		12000-4 ML		12000-AR	
LIFT PART NUMBER		90008	QT	90032	QT	90036	QT	90061	QT
19	SIDE PLATE	91136	2	91136	2	91136	2	91136	2
20	SAFTEY RELEASE STRUCTURE	91137	1	91137	1	91137	1	91137	1
21	NYLON JAM NUT 3/4 X 16NF	101002	3	101002	3	101002	3	101002	3
22	FLAT WASHER 3/4 SAE	100512	3	100512	3	100512	3	100512	3
23	SAFTEY PIN	91139	1	91139	1	91139	1	91139	1
24	ROLLER GUIDES	91140	2	91140	2	91140	2	91140	2
25	SNAP RING 1-3/8"	103006	2	103006	2	103006	2	103006	2
26	CHAIN PIN 5/16 X 2-1/2"	91141	2	91141	2	91141	2	91141	2
#	CROSS TUBE ASSEMBLY	91142	2	91142	2	91142	2	91142	2
27	CROSS TUBE STRUCTURE	91143	1	91143	1	91143	1	91143	1
28	BEARING ASSEMBLY- SMALL	91130	2	91130	2	91130	2	91130	2
29	HHS 3/4 16NF X 4"	101005	4	101005	4	101005	4	101005	4
30	NYLON JAM NUT 3/4 X 16NF	101002	3	101002	3	101002	3	101002	3
31	NYLON NUT 3/4 X 16NF	101001	1	101001	1	101001	1	101001	1
32	SLACK CHAIN STRUCTURE	91147	2	91147	2	91147	2	91147	2
33	CHAIN ANCHOR	91150	1	91150	1	91150	1	91150	1
34	SAFTEY LOCK BAR	91151	2	91151	2	91151	2	91151	2
35	SPRING	103002	2	103002	2	103002	2	103002	2
36	FLAT WASHER 3/4"	100512	4	100512	4	100512	4	100512	4
#	SHIPPING PIN 3/4DIA X 8"	91152	2	91152	2	91152	2	91152	2
#	RH TRACK ASSEMBLY	91320	1	91405	1	N/A		91476	1
37	RH TRACK STRUCTURE	91321	1	91406	1	91153	1	91477	1
39	SLIP PLATE STRUCTURE	91339	2	91339	2	N/A		91470	2
40	CHROME STEEL BALL 1-1/8	103013	50	103013	50	N/A		103013	50
41	WASHER	91343	4	91343	4	N/A		91343	4
42	NYLON NUT 3/4-16NF	101001	4	101001	4	N/A		101001	4
43	PIN (5/16 X 2)	91344	4	91344	4	N/A		91344	4
44	CHAIN RING	103014	4	103014	4	N/A		103014	4
45	CABLE (7-1/2")	91345	4	91345	4	N/A		91345	4
46	CABLE CLAMP - SHUT OFF	91086	8	91086	8	N/A		91086	8
47	HEX SCREW 1/2 X 13NC X 2	100016	1	100016	1	N/A		100016	1
#	LH TRACK ASSEMBLY	91346	1	91407	1	N/A		91481	1
38	LH TRACK STRUCTURE	91347	1	91408	1	91153	1	91482	1
39	SLIP PLATE STRUCTURE	91339	2	91339	2	N/A		91470	2
40	CHROME STEEL BALL 1-1/8	103013	50	103013	50	N/A		103013	50
41	WASHER	91343	4	91343	4	N/A		91343	4
42	NYLON NUT 3/4-16NF	101001	4	101001	4	N/A		101001	4
43	PIN (5/16 X 2)	91344	4	91344	4	N/A		91344	4
44	CHAIN RING	103014	4	103014	4	N/A		103014	4
45	CABLE (7-1/2")	91345	4	91345	4	N/A		91345	4
46	CABLE CLAMP - SHUT OFF	91086	8	91086	8	N/A		91086	8
47	HEX SCREW 1/2 X 13NC X 2	100016	1	100016	1	N/A		100016	1
48	RAMP (STANDARD) - 58"	91349	2	91349	2	91254	2	91159	2
	RAMP (OPTIONAL) 66"	91409	2	91409	2	N/A		91409	2
49	ROD - RAMP 12A (3/4 DIA.)	91350	2	91350	2	N/A		91350	2
50	ROLL PIN - 1/4" X 2"	103003	4	103003	4	N/A		103003	4
51	TIRE STOP 13"	91220	2	91220	2	91162	2	91162	2
52	HEW SCREW 1/2 X 13NC X 2	100016	8	100016	8	100016	8	100016	8
53	FLATWASHER 1/2" USS	100152	28	100152	28	100152	12	100152	28
54	LOCKWASHER 1/2	100125	24	100125	24	100125	8	100125	24

LIFT MODEL		12000-AL		12000-AS		12000-4 ML		12000-AR	
LIFT PART NUMBER		90008	QT	90032	QT	90036	QT	90061	QT
55	HEX NUT 1/2 X 13NC	100124	20	100124	20	100124	8	100124	20
56	U-BOLT 1/2 X 13NCX7X3-1/2ID SQ. BEND	101016	4	101016	4	N/A		101016	4
57	LIFTING CHAIN 260-1/4"	91352	1	91352	1	91164	1	91164	1
58	LIFTING CHAIN 96-3/4"	91353	1	91353	1	91165	1	91165	1
	59 CHAIN-634 X 429 LKS (204-3/4")	91167	2	91167	2	91167	2	91167	2
	60 CHAIN ANCHOR STUD 12K	91168	2	91168	2	91168	2	91168	2
	61 MASTER LINK BL634	91036	4	91036	4	91036	4	91036	4
	62 NYLON NUT 1" 14UNS	101007	2	101007	2	101007	2	101007	2
63	SHOULDER BOLT 5/16X1-1/2"	101008	2	101008	2	101008	2	101008	2
64	NYLON NUT 1/4"	101009	2	101009	2	101009	2	101009	2
65	ROD - SLACK CHAIN 3/4" DIA	91170	4	91170	4	91170	4	91170	4
66	HEX NUT 3/4X10NC	101006	8	101006	8	101006	8	101006	8
67	HYDRAULIC HOSE 3/8 X 111"	91172	1	91172	1	91172	1	91172	1
68	ELBOW 9/16ORB X 9/16JIC	60368	1	60368	1	60368	1	60368	1
69	ELBOW 3/8 MALE NPT X 9/16JIC	105004	2	105004	2	105004	2	105004	2
#	HARDWARW KIT - POWER UNIT	95009	1	95009	1	95009	1	95009	1
	70 HHFL SCREW 5/16 X 18NC X 3/4 GR.5	100234	4	100234	4	100234	4	100234	4
	71 HH FL NUT 5/16 X 18NC	100237	4	100237	4	100237	4	100237	4
87	HYDRAULIC HOSE 3/8 X 40"	91452	1	91452	1	91452	1	91452	1
88	MALE CONNECTOR 3/8 X 9/16JIC	60052	1	60052	1	60052	1	60052	1
72	ANCHOR BOLT 3/4 X 5-1/2	95000	16	95000	16	95000	16	95000	16
73	SHIMS	95001	24	95001	24	95001	24	95001	24
74	PLASTIC TIE	103015	2	103015	2	103015	2	103015	2
75	POWER UNIT 1 PHASE 220V	95011	1	95011	1	95011	1	95011	1
#	POWER UNIT 3 PHASE 220/440V	95016	1	95016	1	95016	1	95016	1
#	NAME PLATE	62249	1	62249	1	62249	1	62249	1
#	BEN PEARSON DECAL 5X36 MYLAR	95005	2	95005	2	95005	2	95005	2
#	PB/800 DECAL 2X5 MYLAR	95006	1	95006	1	95006	1	95006	1
#	CAUTION DECAL 12000LB	95008	1	95008	1	95008	1	95008	1
#	BLUE TOUCH-UP PAINT (12OZ.) SPRAY	103007	1	103007	1	103007	1	103007	1
#	YELLOW TOUCH-UP PAINT (12OZ.)SPRAY	103008	1	103008	1	103008	1	103008	1
#	MANUAL	95053	1	95053	1	95053	1	95053	1
#	WARRANTY CARD	83423	1	83423	1	83423		83423	1
ACCESSORIES									
76	TURNTABLE KIT	90065	1	90065	1	N/A		90065	1
#	AIRLINE KIT (FIG. 4)	90033	1	90033	1	N/A		90033	1
	77 ANCHOR COUPLING 1/4" NPT	105011	3	105011	3	N/A		105011	3
	78 STREET TEE X 1/4NPT	105012	1	105012	1	N/A		105012	1
	79 MALE BRANCH TEE - 1/4NPT 3/8 TUBE	105013	1	105013	1	N/A		105013	1
	80 MALE CONNECTOR 1/4NPT-3/8	105014	2	105014	2	N/A		105014	2
	81 COUPLER 1/4" MALE NPT	105015	2	105015	2	N/A		105015	2
	82 CONNECTER 1/4" FEMALE NPT	105016	2	105016	2	N/A		105016	2
	83 PIPE PLUG 1/4" NPT	105017	1	105017	1	N/A		105017	1
	84 AIR LINE 51"	91410	1	91410	1	N/A		91410	1
	85 AIR LINE 180"	91411	1	91411	1	N/A		91411	1
	86 COIL HOSE 1/4 X 12'	105018	3	105018	3	N/A		105018	3