

BEN PEARSON

PARTS MANUAL -

**12000-4 MR POST LIFT
12000-4 S/N MR LIFT**

**2912 W. 2ND.
PINE BLUFF, ARKANSAS 71601
1-800-436-1327**

FIG. 1

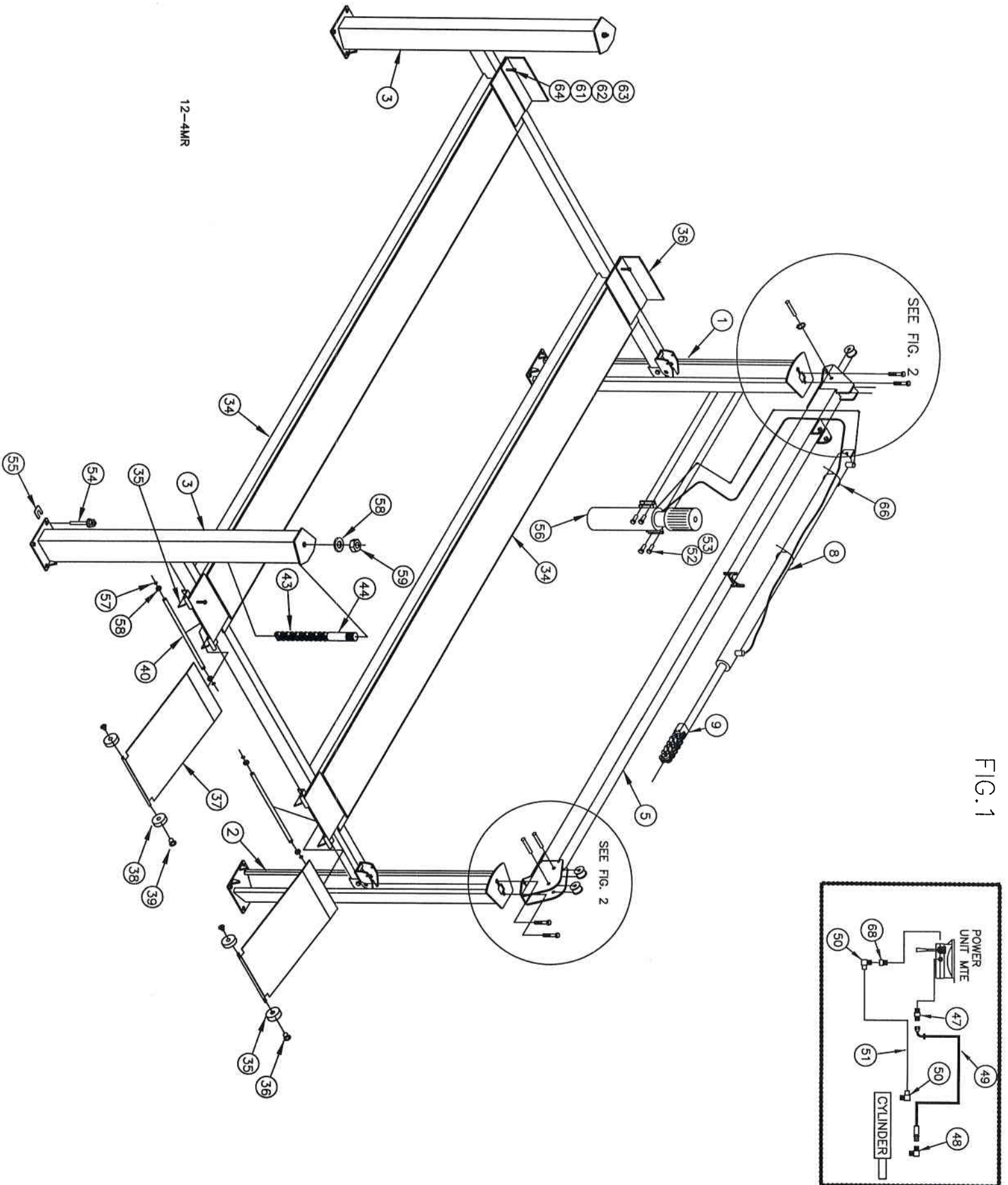
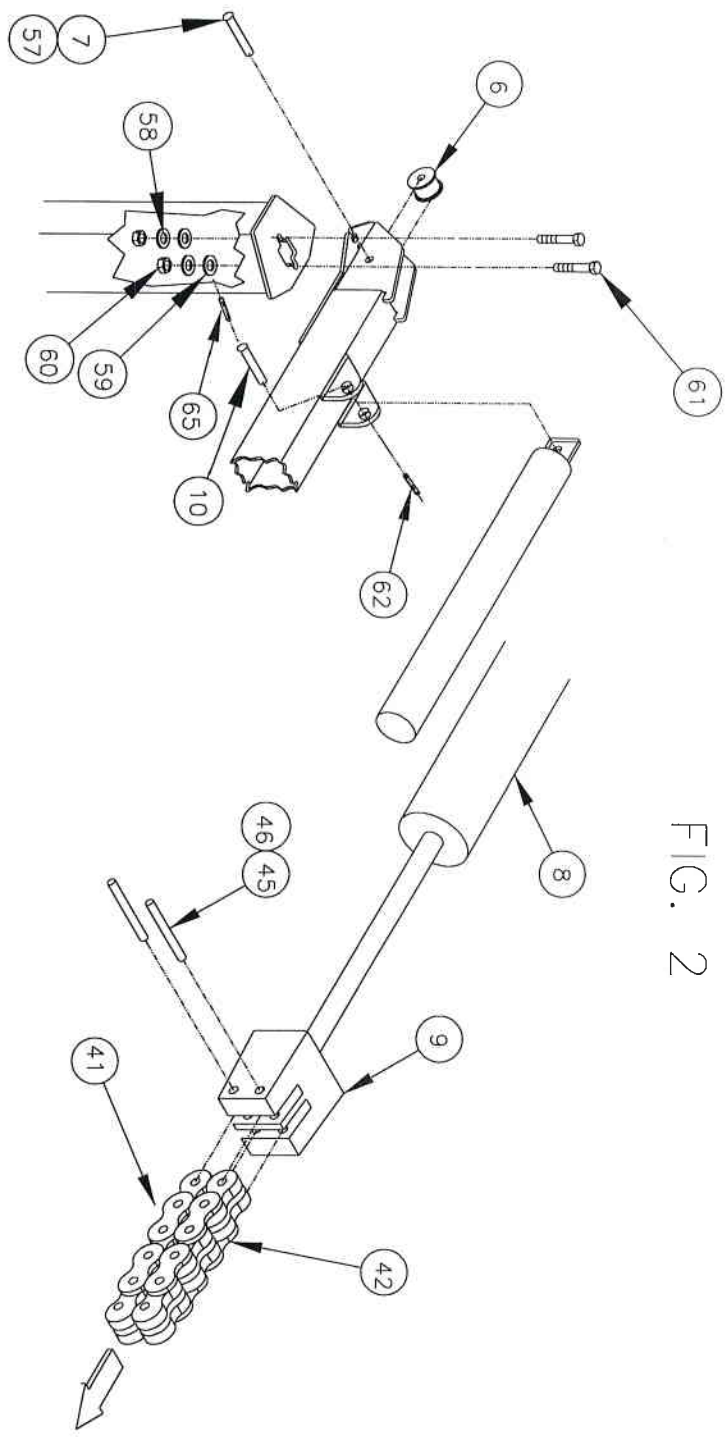


FIG. 2



12-4MR

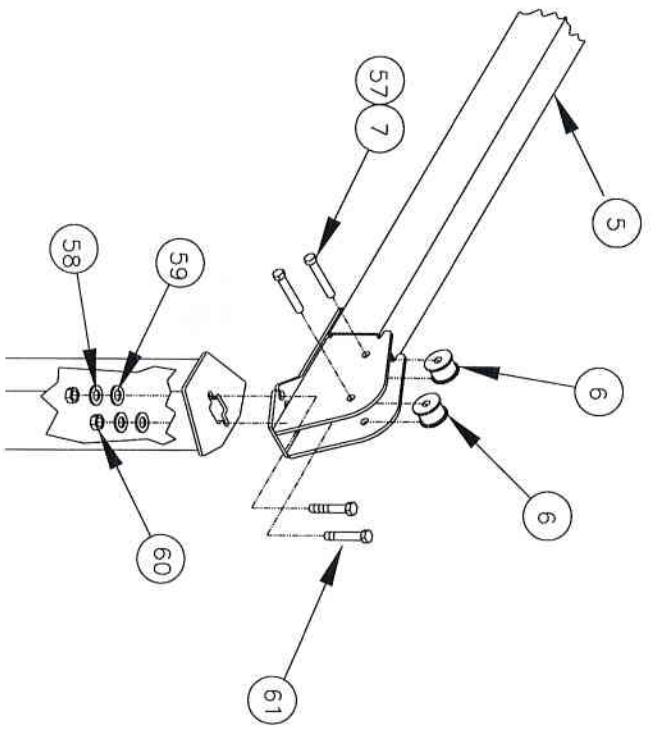
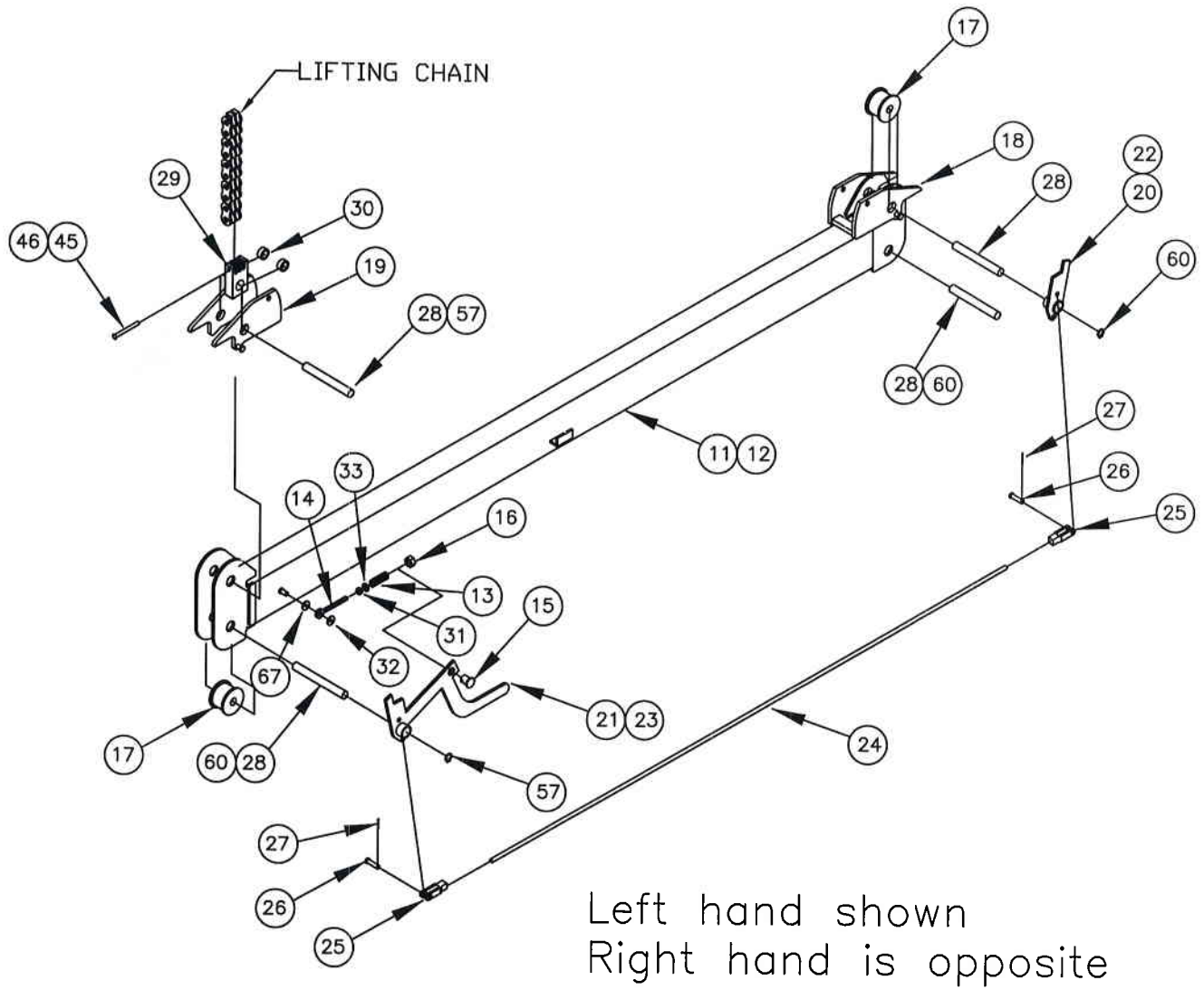


FIG. 3



12-4MR

PARTS LISTING

09/01/04

		MODEL	12000-4 MR		12000-4 MR S/N	
LIFT PART NUMBER				QT		QT
1	POST STRUCTURE - MAIN P/U	91794	1	90133	1	
2	POST STRUCTURE - MAIN REAR	91802	1	91794	1	
3	POST STRUCTURE - OFFSIDE	91804	2	91802	1	
5	HORIZONTAL BEAM STR.	91807	1	91804	2	
6	SHEAVE ASSEMBLY	91816	3	91807	1	
7	SHAFT ASSEMBLY - UPPER, HORIZONTAL	91862	3	91816	3	
8	CYLINDER	91132	1	91862	3	
9	CHAIN ANCHOR - CYLINDER	91776	1	91132	1	
10	CYLINDER PIN	91134	2	91776	1	
#	CROSS TUBE ASSEMBLY - LEFT HAND	91930	1	91134	2	
#	CROSS TUBE ASSEMBLY - RIGHT HAND	91952	1	91930	1	
11	CROSS TUBE STRUCTURE LEFT ACTUATED	91931	1	91952	1	
12	CROSS TUBE STRUCTURE RIGHT ACTUATED	91929	1	91931	1	
13	SPRING - RELEASE LOCK	91934	1	91929	1	
14	BOLT - EYE 1/4 X 4	91935	1	91934	1	
15	PIVOT - RETURN SPRING	91936	1	91935	1	
16	1/4" X 20 NYLOCK NUT	101009	1	91936	1	
17	SHEAVE ASSEMBLY - CROSS CHAIN	91825	2	101009	1	
18	LATCH STRUCTURE, MANUAL RH	91990	1	91825	2	
19	LATCH STRUCTURE, MANUAL LH	91991	1	91990	1	
20	ARM STRUCTURE - LEFT ACTUATOR	91940	1	91991	1	
21	HANDLE STRUCTURE - LEFT ACTUATOR	91943	1	91940	1	
22	ARM STRUCTURE - RIGHT ACTUATOR	91947	1	91943	1	
23	HANDLE STRUCTURE - RIGHT ACTUATOR	91948	1	91947	1	
24	ROD - TIE	91949	2	91948	1	
25	END - YOKE, ADJUSTABLE	91950	2	91949	2	
26	PIN - CLEVIS, 1-1/8"	91951	2	91950	2	
27	PIN - COTTER, 1/8" X 3/4" LONG	100175	2	91951	2	
28	SHAFT ASSEMBLY - UPPER, CROSSMEMBER	91864	4	100175	2	
29	ANCHOR - LIFTING CHAIN	91775	1	91864	4	
30	SPACER 1" PIPE X .44	91859	2	91775	1	
31	SPACER - SPRING	91997	1	91859	2	
32	RETAINER - EYE BOLT	91998	1	91997	1	
33	FLAT WASHER 1/4" SAE	100065	1	91998	1	
34	TRACK STRUCTURE	91831	2	100065	1	
35	BAR STRUCTURE - ADAPTER, RAMP	91839	2	91831	2	
36	STOP - TRACK END	91772	2	91839	2	
#	RAMP ASSEMBLY	91865	2	91772	2	
37	RAMP STRUCTURE	91850	2	91865	2	
#	TREAD PAPER	56500	6	91850	2	
38	ROLLER RAMP	91793	4	56500	6	
39	RETAINER 1/2"	91801	4	91793	4	
40	PIN - HINGE, RAMP	91792	2	91801	4	
41	CHAIN - LONG (276-3/4") SHORT (252-3/4")	91790	1	91792	2	
42	CHAIN - SHORT (93-3/4")	91788	2	91790	1	
43	CHAIN - CROSS (204-3/4") SHORT (192-3/4")	91789	1	91788	2	
44	ANCHOR - ADJUSTABLE	91781	2	91789	1	
45	PIN - CHAIN - LIFTING	91778	4	91781	2	
#	PIN - CHAIN - CROSSOVER	91779	4	91778	4	
46	RETAINING RING 5/16"	103032	16	91779	4	
47	ADAPTER 9/16ORB X 9/16 JIC	60544	1	103032	16	
48	ELBOW 3/8 MALE NPT X 9/16JIC	105004	1	60544	1	
49	HYDRAULIC HOSE 145" / 125"	91860	1	105004	1	
50	MALE ELBOW 3/8NPT X 3/8 TUBING	105049	2	91860	1	
51	3/8" TUBING - BLACK 75" / 61"	91861	1	105049	2	

MODEL		12000-4 MR		12000-4 MR SN	
LIFT PART NUMBER			QT		QT
#	HARDWARW KIT - POWER UNIT	90097		90133	
	52 HHFL SCREW 5/16 X 18NC X 3/4 GR.5	95009	1	95009	1
	53 HH FL NUT 5/16 X 18NC	100234	4	100234	4
54	ANCHOR BOLT 3/4 X 4-3/4	100237	4	100237	4
55	SHIMS	95000	16	95000	16
56	POWER UNIT	95001	24	95001	24
57	SNAP RINGS 3/4"	95011	1	95011	1
58	FLATWASHER 3/4"	103000	4	103000	4
59	NYLOCK NUT 3/4 X 10NC	100512	6	100512	6
60	1" SNAP RING	101035	2	101035	2
61	LOCKWASHER 1/2	103029	19	103029	19
62	FLATWASHER 1/2	100125	18	100125	18
63	HEX NUT 1/2 X 13NC	100152	32	100152	32
64	HEX SCREW 1/2 X 13NC X 2 GR. 5	100124	18	100124	18
65	ROLL PIN 1/4" X 2	100016	18	100016	18
#	KFR - 17 RELIEF VALVE	103003	2	103003	2
#	NAME PLATE	105028	1	105028	1
66	PLASTIC TIE	62249	1	62249	1
67	FLATWASHER 1/2" USS	103015	3	103015	3
68	ADAPTER 9/16ORB X 3/8 NPT	100152	2	100152	2
#	BEN PEARSON DECAL	105065	1	105065	1
#	PB\800 DECAL 2 X 5 MYLAR	95005	2	95005	2
#	CAUTION DECAL	95006	1	95006	1
#	MANUAL	95008	1	95008	1
#	BLUE TOUCH-UP PAINT (SPRAY)	95085	1	95085	1
#	YELLOW TOUCH-UP PAINT (SPRAY)	103007	1	103007	1
#	ALI DECALS, 4 - POST	103008	1	103008	1
		95164	1	95164	1