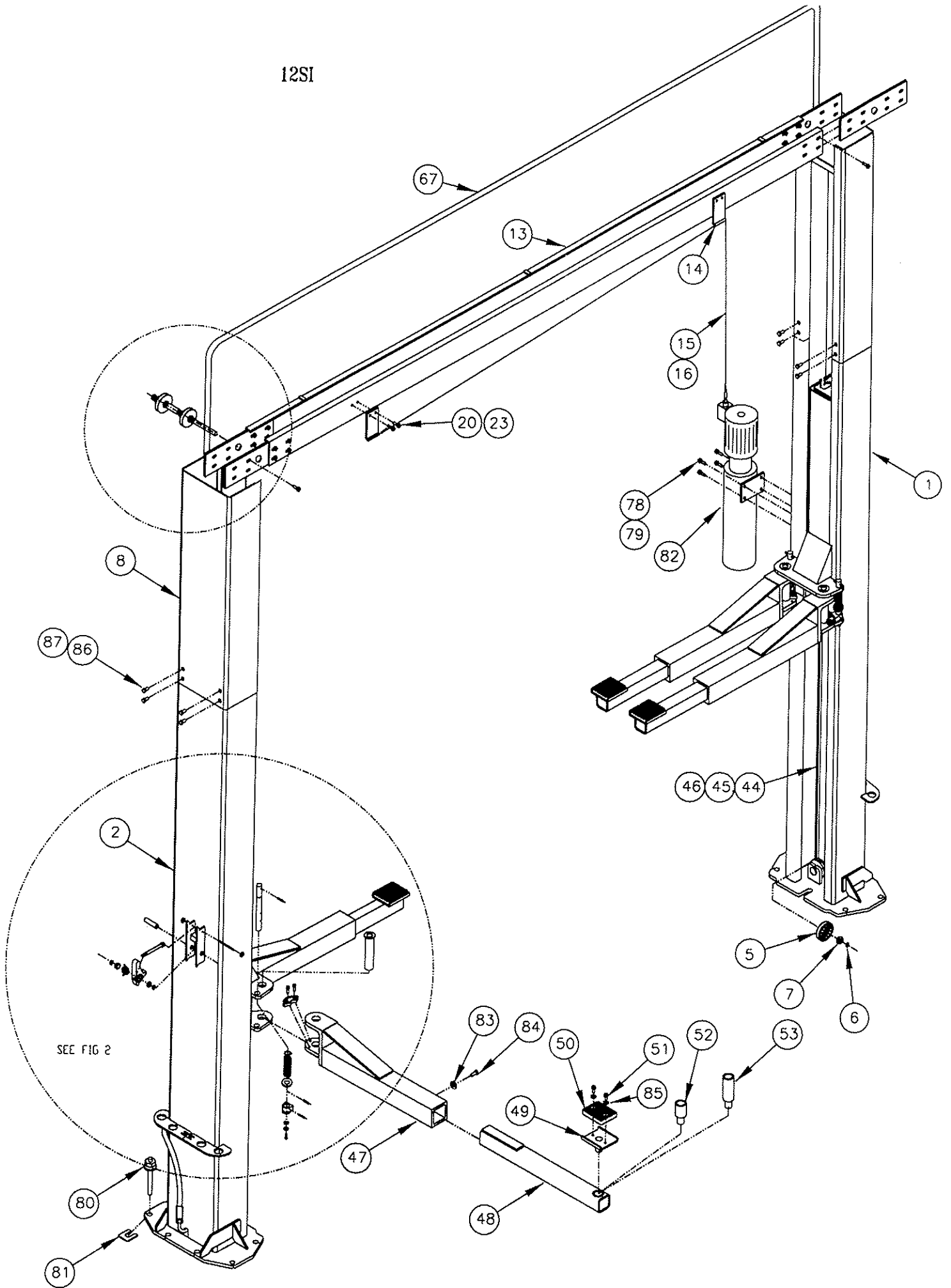


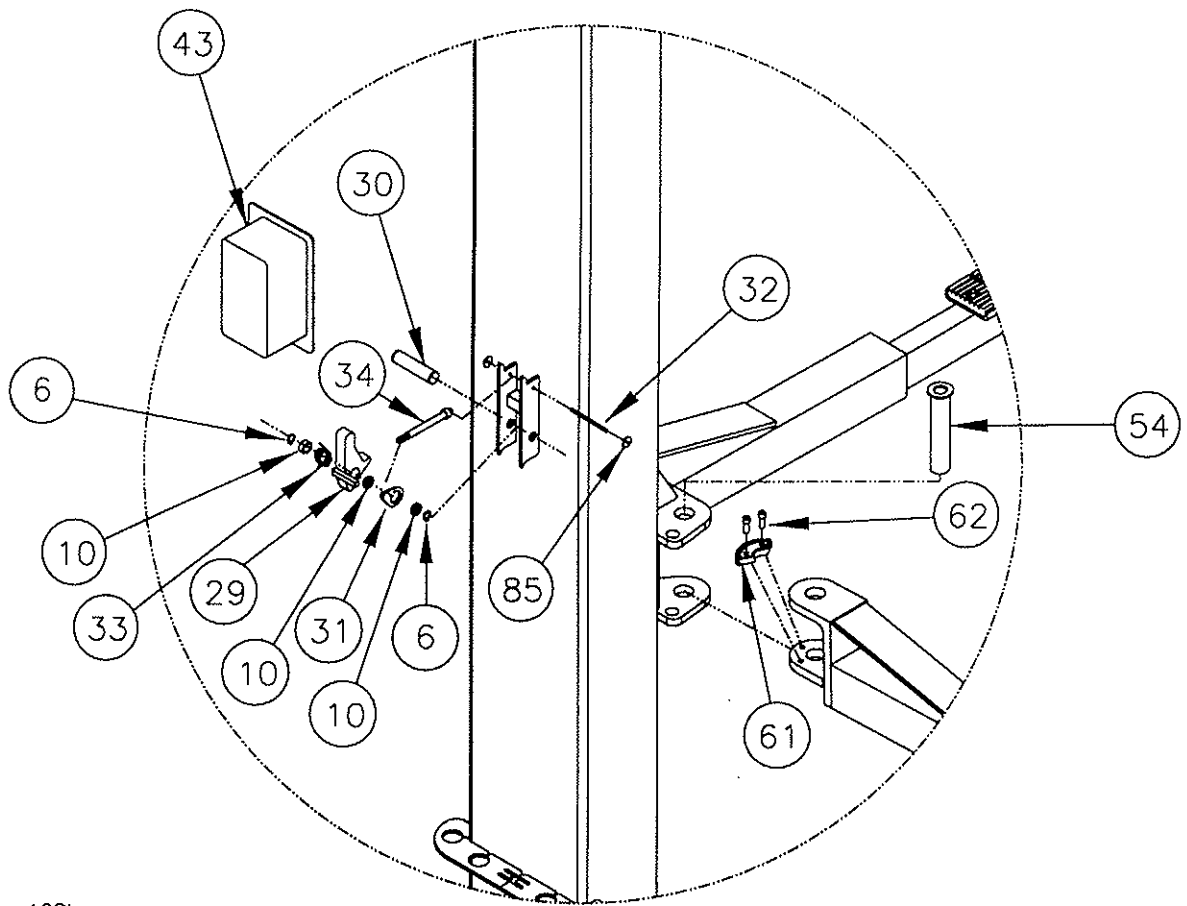
**BEN PEARSON**

**PARTS MANUAL - 12000SI**

**2912 W. 2ND.  
PINE BLUFF, ARKANSAS 71601  
1-800-436-1327**

12SI



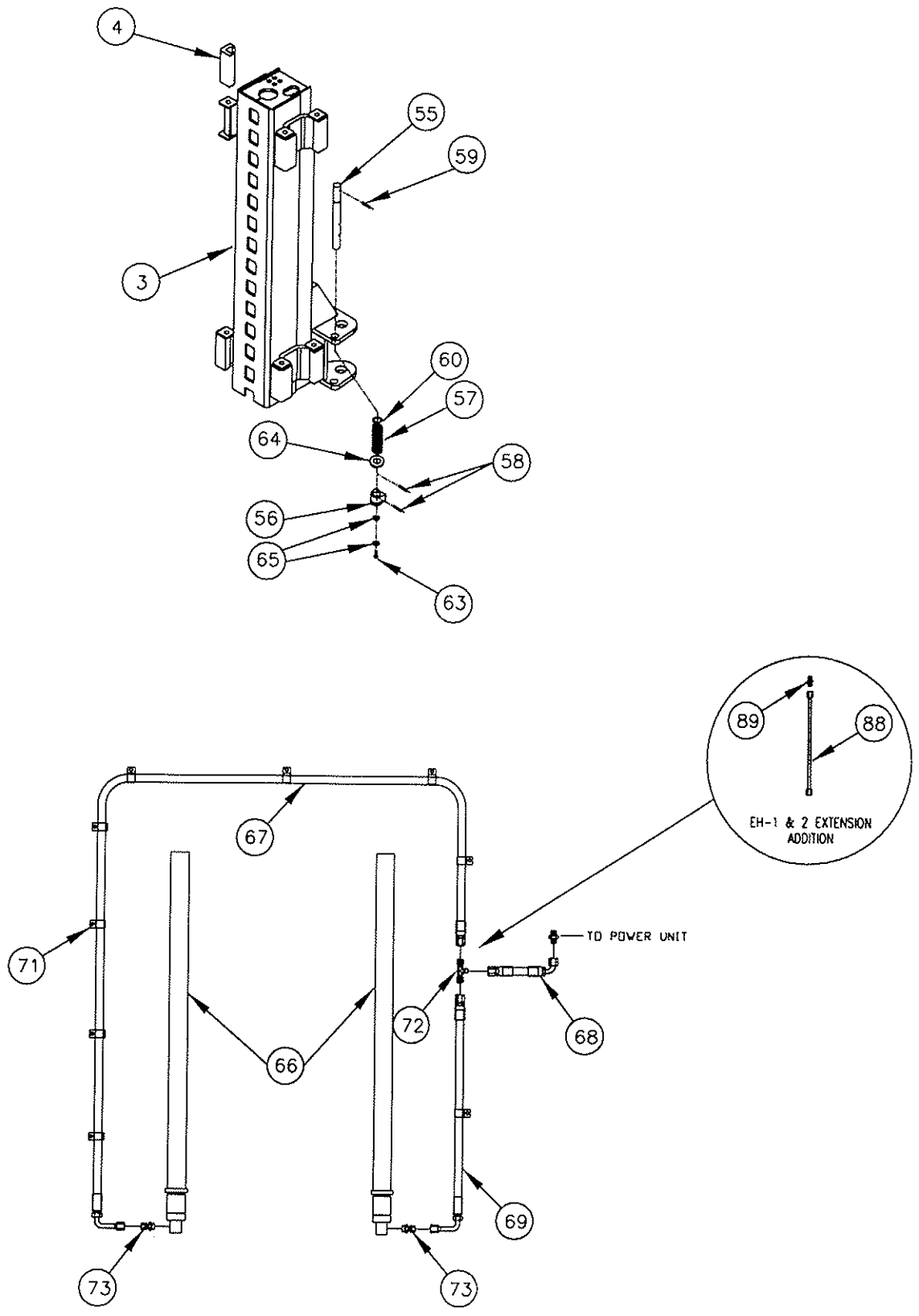


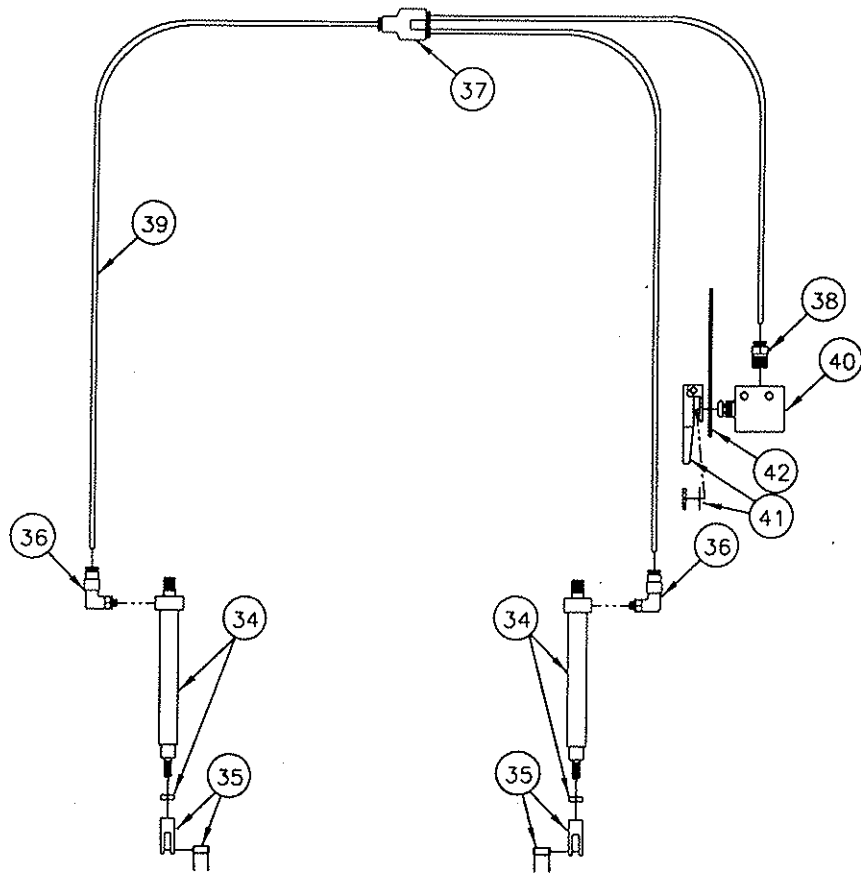
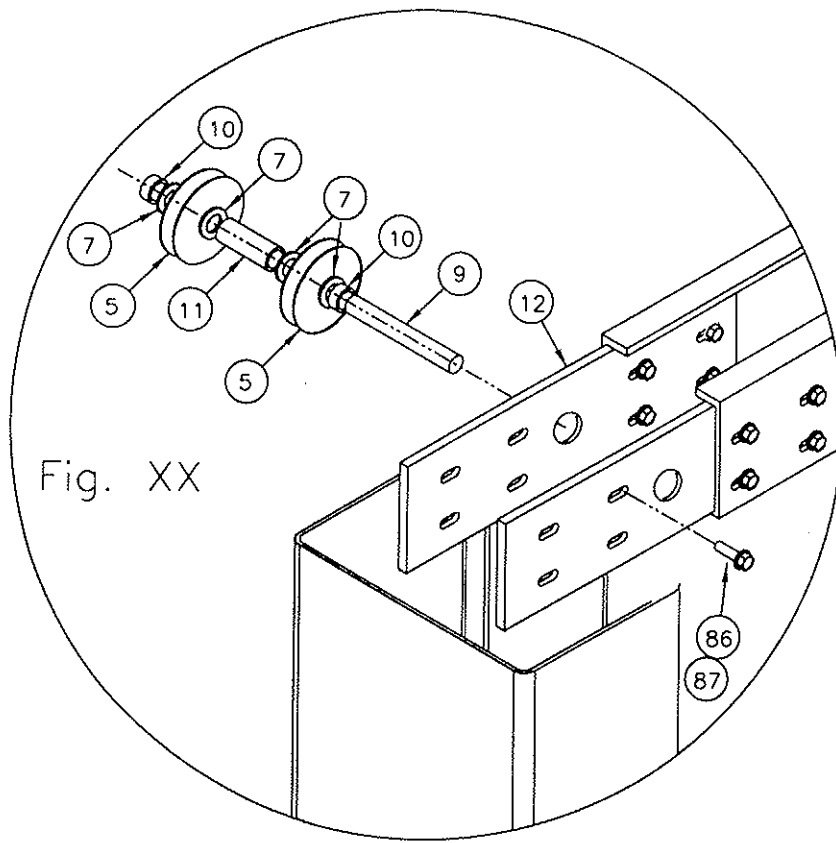
12SI

FIG #2



#	LIFT PAD ASSEMBLY	BASE MODEL		12000SI		12000SI		12000SI	
		LIFT PART NUMBER		90075		90092		90093	
		OVERALL HEIGHT		13'-9"	QT	14' - 9"	QT	15' - 9"	QT
	49	LIFT PAD STRUCTURE	91555	4	91555	4	91555	4	
	50	PAD LIFT - BOLT ON	91556	1	91556	1	91556	1	
	51	HEX SCREW 3/8-16NC X 3/4	91559	1	91559	1	91559	1	
	83	FLATWASHER 3/8" SAE	100179	2	100179	2	100179	2	
			100082	2	100082	2	100082	2	
52		LIFT PAD EXTENSION 2-5/8"	91560	4	91560	4	91560	4	
53		LIFT PAD EXTENSION 5"	91562	4	91562	4	91562	4	
54		ARM PIN STRUCTURE	91701	4	91701	4	91701	4	
55		SHAFT - ARM RESTRAINT	91704	4	91704	4	91704	4	
56		GEAR - LOCKING	91582	4	91582	4	91582	4	
57		SPRING - ACTUATING - ARM RESTRAINT	103017	4	103017	4	103017	4	
58		ROLL PIN - 3/16 X 1-1/2	103009	8	103009	8	103009	8	
59		ROLL PIN - 1/4 X 2-1/2	103018	4	103018	4	103018	4	
60		1" SNAP RING	103019	4	103019	4	103019	4	
61		GEAR - ARM RESTRAINT	91584	4	91584	4	91584	4	
62		SOCKET HEAD CAP SCREW 3/8-16NC X 1"	101028	8	101028	8	101028	8	
63		SOCKET HEAD CAP SCREW-5/16-18 X 3/4	101027	4	101027	4	101027	4	
64		FLAT WASHER 1" SAE	100143	4	100143	4	100143	4	
65		FLAT WASHER 5/16" SAE	100088	12	100088	12	100088	12	
66		CYLINDER	91586	2	91586	2	91586	2	
67		HYDRAULIC HOSE 3/8 x 400-1/2"	92503	1	92503	1	92503	1	
68		HYDRAULIC HOSE 3/8 x 7"	92480	1	92480	1	92480	1	
69		HYDRAULIC LINE 61-1/2"	92501	1	92501	1	92501	1	
71		HOSE CLAMP	61412	11	61412	11	61412	11	
72		TEE - UNION	105078	1	105078	1	105078	1	
73		CONNECTOR - STRIAIGHT	100037	2	100037	2	100037	2	
78		HHFL SCR 5/16X18NCX3/4 GR. 5	100234	4	100234	4	100234	4	
79		HH FL NUT 5/16 X 18NC	100237	4	100237	4	100237	4	
80		ANCHOR BOLT 3/4 X 7"	95070	12	95070	12	95070	12	
81		SHIMS	95001	24	95001	24	95001	24	
82		POWER UNIT - O/H 1PHASE 220V	95106	1	95106	1	95106	1	
#		RELIEF VALVE - KRV21	105029	1	105029	1	105029	1	
83		FLATWASHER 3/8" SAE	100082	4	100082	4	100082	4	
84		3/8 X 3/4 SELF TAPPING SCREW	101025	4	101025	4	101025	4	
85		PUSH ON FASTENER	103030	4	103030	4	103030	4	
86		HFHSL SCREW 3/8-16NC X 1"	100238	48	100238	48	100238	48	
87		HHFHSL NUT 3/8-16NC	100239	48	100239	48	100239	48	
88		HYDRAULIC HOSE 3/8			92504	1	92505	1	
89		UNION CONNECTOR			105044	1	105044	1	
#		ADHESIVE 4-WAY CABLE TIE	103020	4	103020	4	103020	4	
#		SERIAL NAME PLATE	95056	1	95056	1	95056	1	
#		BEN PEARSON DECAL 5X36 MYLAR	95005	2	95005	2	95005	2	
#		PB/800 DECAL 2X5 MYLAR	95006	1	95006	1	95006	1	
#		CAUTION DECAL 12000 LB	95008	2	95008	2	95008	2	
#		ETL DECAL	95045	1	95045	1	95045	1	
#		ALI UNIFORM WARNING LABELS	95046	1	95046	1	95046	1	
#		ALI SAFETY REQUIREMENTS FOR OPERATION	95047	1	95047	1	95047	1	
#		ALI LIFTING POINT QUICK REF.	95048	1	95048	1	95048	1	
#		LIFTING IT RIGHT MANUAL	95049	1	95049	1	95049	1	
#		ALI SAFETY TIPS CARD	95062	1	95062	1	95062	1	
#		BLUE TOUCH-UP PAINT	103007	1	103007	1	103007	1	
#		YELLOW TOUCH-UP PAINT	103008	1	103008	1	103008	1	
#		WARRANTY CARD	83423	1	83423	1	83423	1	
#		MANUAL	95068	1	95068	1	95068	1	
#		GREASE 2-EP 1# CAN	95116	1	95116	1	95116	1	
#		NOT SHOWN							





12SI







# SAFETY DECALS

These decals must be applied to lift.

**CAUTION**  
 RELEASE ALL LATCHES  
 BEFORE LOWERING LIFT  
 MAXIMUM CAPACITY

**12000 LBS.**

<b>SAFETY INSTRUCTIONS</b>	<b>SAFETY INSTRUCTIONS</b>
	
Read operating and safety manuals before using lift.	Proper maintenance and inspection is necessary for safe operation.
<b>SAFETY INSTRUCTIONS</b>	<b>SAFETY INSTRUCTIONS</b>
	
Do not operate a damaged lift.	The messages and pictographs shown are generic in nature and are meant to generally represent hazards common to all automotive lifts regardless of specific style.  Funding for the development and validation of these labels was provided by the Automotive Lift Institute, PO Box 65 Corvallis, NY 13045.  Replacement label sets may be obtained from the original lift manufacturer and ALI's member companies. They are protected by copyright.  <a href="http://www.ali.org">www.ali.org</a>

<b>CAUTION</b>	<b>CAUTION</b>
	
Lift to be used by trained operator only.	Authorized personnel only in lift area.
<b>CAUTION</b>	<b>CAUTION</b>
	
Use vehicle manufacturer's lift points.	Always use safety stands when removing or installing heavy components.
<b>CAUTION</b>	<b>CAUTION</b>
	
Use height extenders when necessary to ensure good contact.	Auxiliary adapters may reduce load capacity.
The messages and pictographs shown are generic in nature and are meant to generally represent hazards common to all automotive lifts regardless of specific style. Funding for the development and validation of these labels was provided by the Automotive Lift Institute, PO Box 65 Corvallis, NY 13045. Replacement label sets may be obtained from the original lift manufacturer and ALI's member companies. They are protected by copyright. <a href="http://www.ali.org">www.ali.org</a> © 2005 by ALI, Inc. ALI 00011114	

<b>WARNING</b>	<b>WARNING</b>
	
Clear area if vehicle is in danger of falling.	Position vehicle with center of gravity midway between adapters.
<b>WARNING</b>	<b>WARNING</b>
	
Remain clear of lift when raising or lowering vehicle.	Avoid excessive rocking of vehicle while on lift.
<b>WARNING</b>	<b>WARNING</b>
	
Do not override self-closing lift controls.	Keep feet clear of lift while lowering.
The messages and pictographs shown are generic in nature and are meant to generally represent hazards common to all automotive lifts regardless of specific style. Funding for the development and validation of these labels was provided by the Automotive Lift Institute, PO Box 65 Corvallis, NY 13045. Replacement label sets may be obtained from the original lift manufacturer and ALI's member companies. They are protected by copyright. <a href="http://www.ali.org">www.ali.org</a> © 2005 by ALI, Inc. ALI 00011114	