

# **BEN PEARSON BAYMASTER**

## **PARTS MANUAL - 25000 & 30000 4 POST LIFT**

**2912 W. 2ND.  
PINE BLUFF, ARKANSAS 71601  
1-800-436-1327  
Part# 95054**

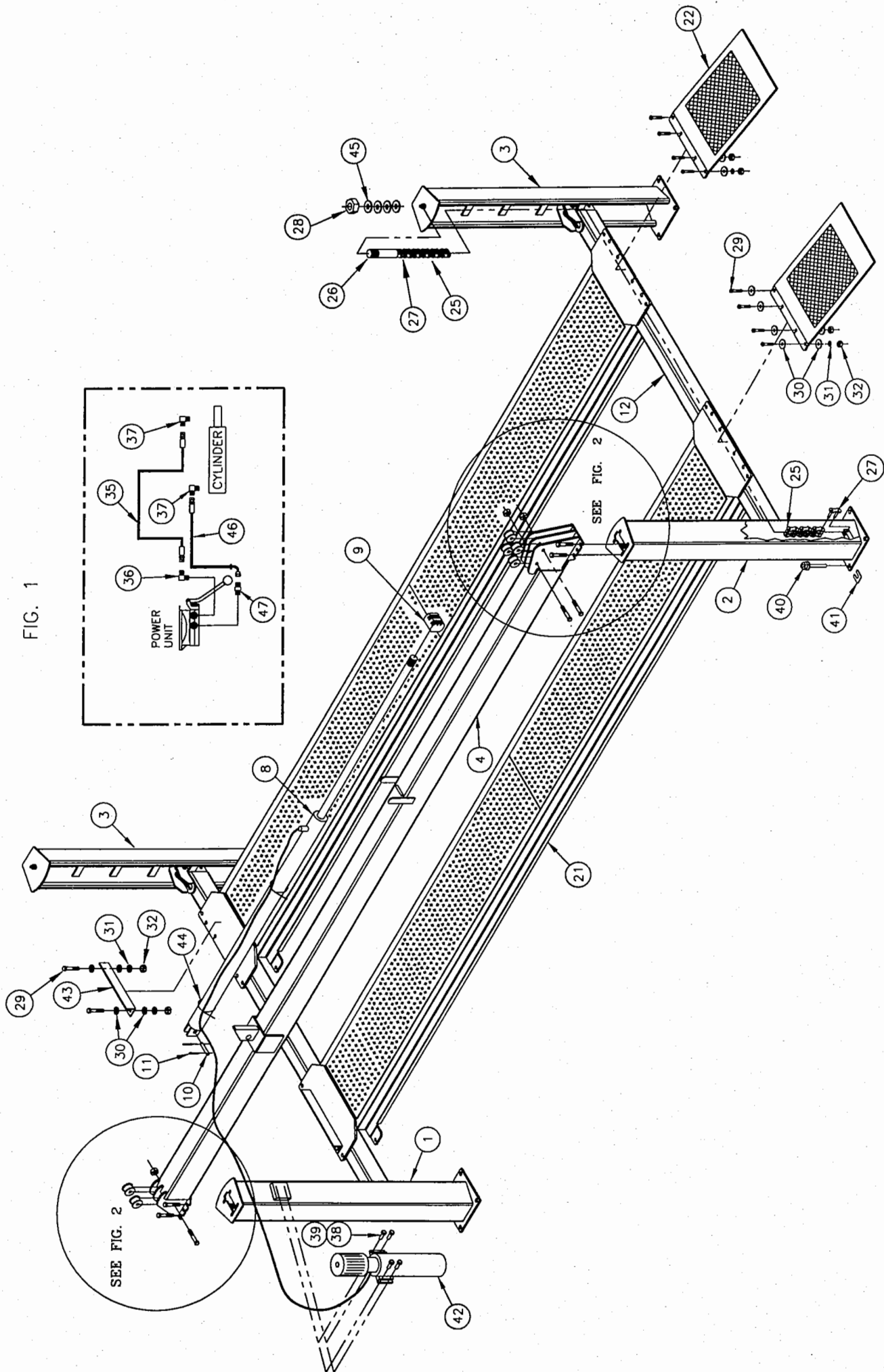


FIG. 1

FIG. 2

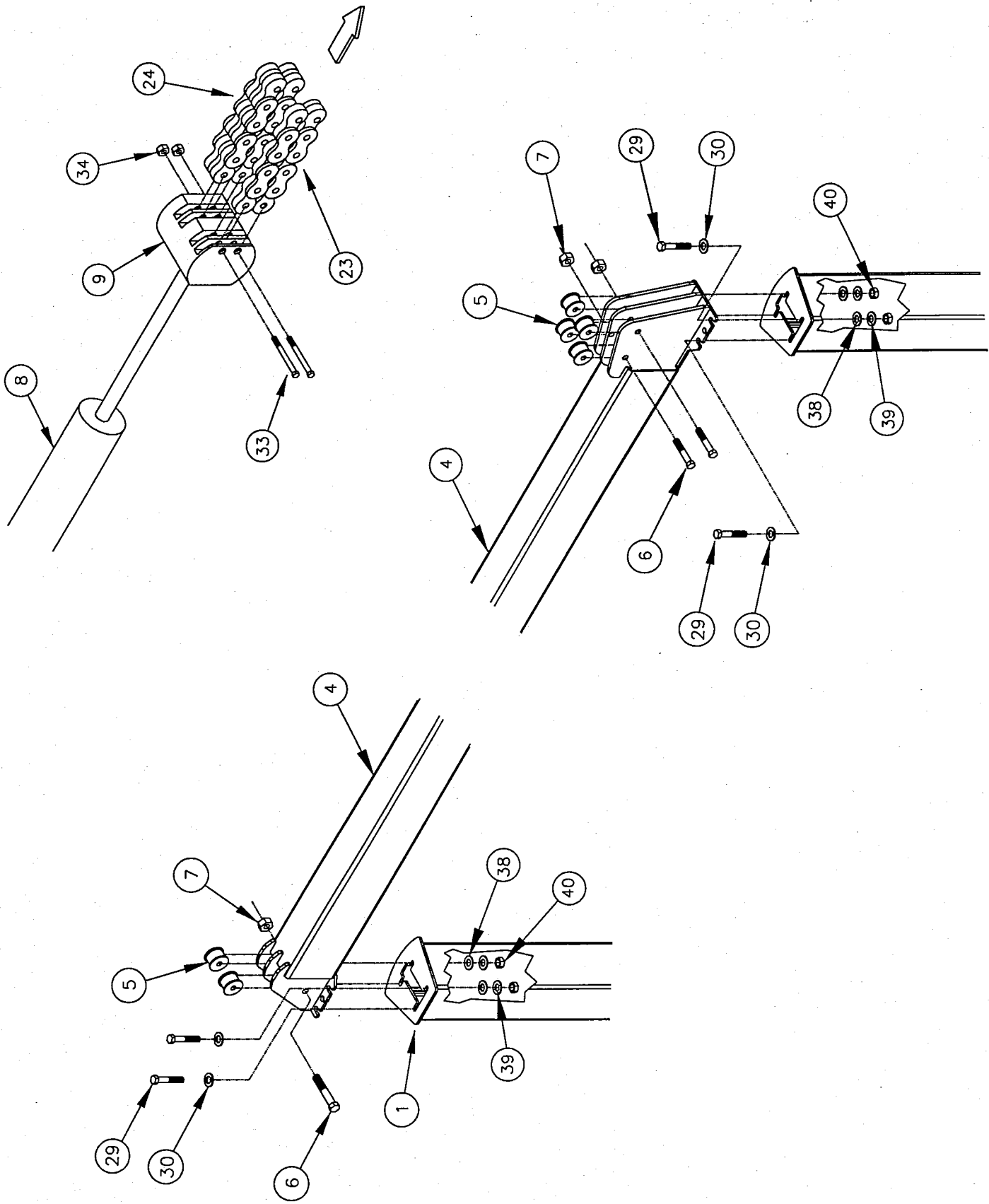
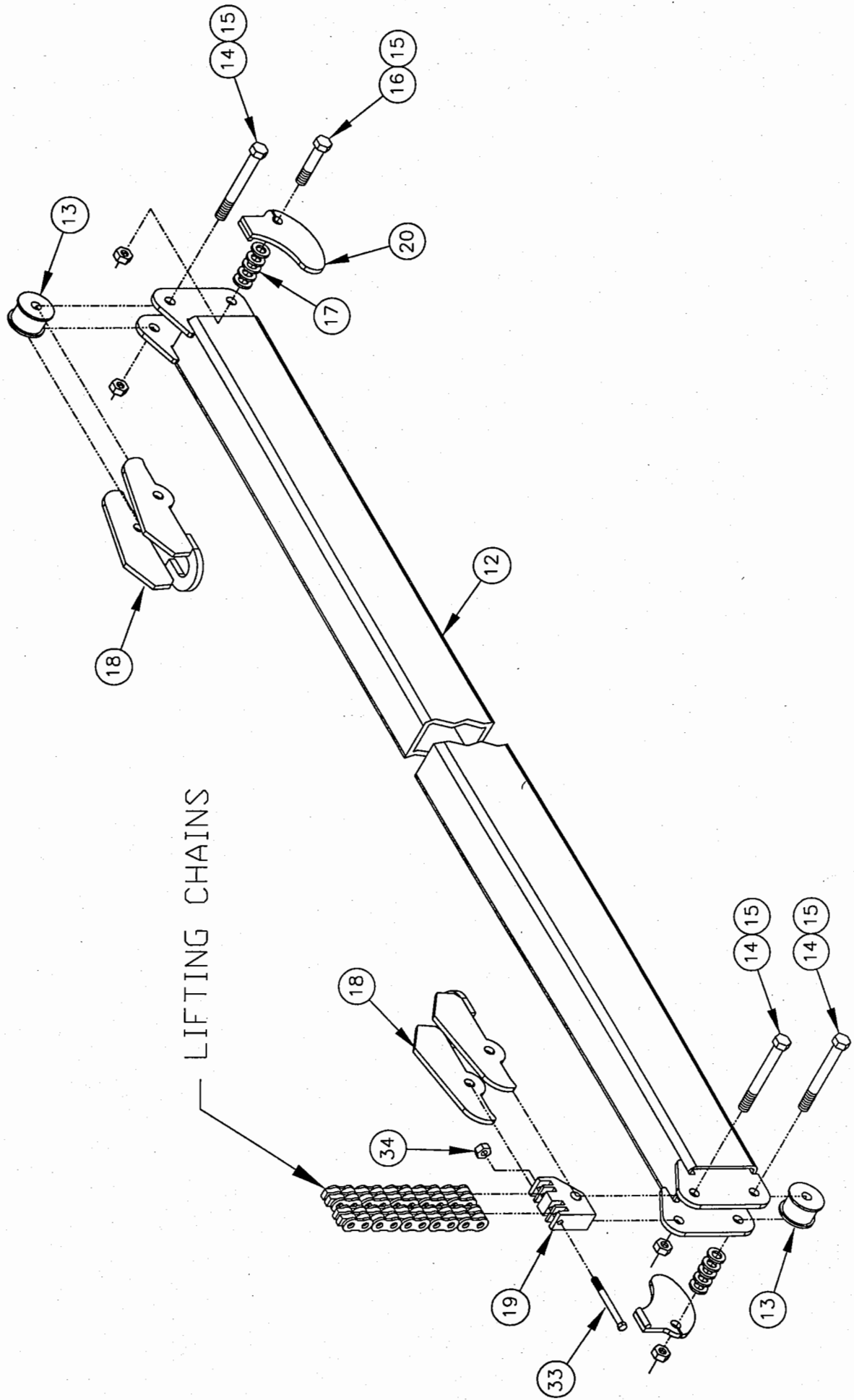


FIG. 3



LIFT MODEL		25000-4		25000-4W		30000-4		30000-4W	
LIFT PART NUMBER		90019	QT	90037	QT	90024	QT	90038	QT
1	POST STRUCTURE - MAIN PUJ	91175	1	91175	1	91175	1	91175	1
2	POST STRUCTURE - MAIN REAR	91183	1	91183	1	91183	1	91183	1
3	POST STRUCTURE - OFFSIDE	91184	2	91184	2	91184	2	91184	2
#	HORIZONTAL BEAM with BEARINGS	91187	1	91187	1	91356	1	91356	1
4	HORIZONTAL BEAM STRUCTURE	91188	1	91188	1	91357	1	91357	1
5	BEARING ASSEMBLY	91195	6	91195	6	91195	6	91195	6
6	HHS 3/4 X 16NF X 7" GRADE: 8	101010	3	101010	3	101010	3	101010	3
7	NYLON NUT 3/4 X 16NF	101001	3	101001	3	101001	3	101001	3
8	CYLINDER	91197	1	91197	1	91197	1	91197	1
9	CYLINDER ADAPTER	91198	1	91198	1	91198	1	91198	1
10	CYLINDER PIN - 4 POST	91199	1	91199	1	91199	1	91199	1
11	ROLL PIN 1/4" X 2"	103003	2	103003	2	103003	2	103003	2
#	CROSS TUBE ASSEMBLY	91200	2	91433	2	91359	2	91433	2
12	CROSS TUBE STRUCTURE	91201	1	91434	1	91360	1	91434	1
13	BEARING ASSEMBLY	91195	2	91195	2	91195	2	91195	2
14	HHS 3/4 16NF X 4-1/2" GRADE: 8	101011	3	101011	3	101011	3	101011	3
15	NYLON JAM NUT 3/4 X 16NF	101002	4	101002	4	101002	4	101002	4
16	HEX SCREW 3/4 X 16NF X 2 GRADE: 5	101000	1	101000	1	101000	1	101000	1
17	FLAT WASHER 3/4" SAE	100512	10	100512	10	100512	10	100512	10
18	SAFETY STRUCTURE	91205	2	91205	2	91205	2	91205	2
19	CHAIN ANCHOR - CROSS TUBE	91208	1	91208	1	91208	1	91208	1
20	RESET STRUCTURE - SAFETY	91295	2	91295	2	91295	2	91295	2
21	TRACK STRUCTURE	91380	2	91380	2	91380	2	91380	2
22	RAMP STRUCTURE	91385	2	91385	2	91385	2	91385	2
23	LIFT CHAIN - LONG	91222	2	91222	2	91222	2	91222	2
24	LIFT CHAIN - SHORT	91223	2	91223	2	91223	2	91223	2
#	CROSS CHAIN ASSEMBLY	91224	2	91436	2	91224	2	91436	2
25	CROSS CHAIN	91225	1	91437	1	91225	1	91437	1
26	CHAIN ANCHOR STUD	91226	1	91226	1	91226	1	91226	1
27	MASTER LINK	91227	2	91227	2	91227	2	91227	2
28	NYLON NUT 1" 14UNS	101007	1	101007	1	101007	1	101007	1
45	FLATWASHER 1" SAE	100143	4	100143	4	100143	4	100143	4
29	HEW SCREW 1/2 X 13NC X 2 GR. 5	100016	8	100016	8	100016	8	100016	8
30	FLAT WASHER 1/2	100152	16	100152	16	100152	16	100152	16
31	LOCKWASHER 1/2	100125	20	100125	20	100125	20	100125	20
32	HEX NUT 1/2 X 13NC	100124	20	100124	20	100124	20	100124	20
33	SHOULDER BOLT 5/16X5"	101012	4	101012	4	101012	4	101012	4
34	NYLON NUT 5/16"	101013	4	101013	4	101013	4	101013	4
35	HYDRAULIC HOSE 3/8 X 191"	91229	1	91229	1	91229	1	91229	1
36	ELBOW 9/16ORB X 9/16JIC	60368	1	60368	1	60368	1	60368	1
37	ELBOW 3/8 MALE NPT X 9/16JIC	105004	2	105004	2	105004	2	105004	2
38	HHFL SCREW 5/16 X 18NC X 3/4 GR.5	100234	4	100234	4	100234	4	100234	4
39	HH FL NUT 5/16 X 18NC	100237	4	100237	4	100237	4	100237	4
46	HYDRAULIC HOSE 3/8 X 125"	91453	1	91453	1	91453	1	91453	1
47	MALE CONNECTOR 3/8 X 9/16JIC	60052	1	60052	1	60052	1	60052	1
40	ANCHOR BOLT 3/4 X 5-1/2	95000	16	95000	16	95000	16	95000	16
41	SHIMS	95001	24	95001	24	95001	24	95001	24
42	POWER UNIT 1 PHASE 220V 4 HP	95020	1	95020	1	95020	1	95020	1
43	TIRE STOP	91220	2	91220	2	91220	2	91220	2
44	PLASTIC TIE	103015	2	103015	2	103015	2	103015	2
#	NAMEPLATE	62249	1	62249	1	62249	1	62249	1
#	BEN PEARSON DECAL 5X36 MYLAR	95005	2	95005	2	95005	2	95005	2
#	PB/800 DECAL 2X5 MYLAR	95006	1	95006	1	95006	1	95006	1
#	CAUTION DECAL 25,000LB	95028	1	95028	1	95029	1	95029	1
#	BLUE TOUCH-UP PAINT (12OZ.) SPRAY	103007	1	103007	1	103007	1	103007	1
#	YELLOW TOUCH-UP PAINT (12OZ.)SPRAY	103008	1	103008	1	103008	1	103008	1
#	WARRANTY CARD	83423	1	83423	1	83423	1	83423	1
#	MANUAL	95054	1	95054	1	95054	1	95054	1