

BEN PEARSON

**PARTS MANUAL – 25000-4 Lift
25000-4 FLT Lift
33000-4 Lift
33000-4 EXT Lift**

**2912 W. 2ND.
PINE BLUFF, ARKANSAS 71601
1-800-436-1327**

FIG. 1

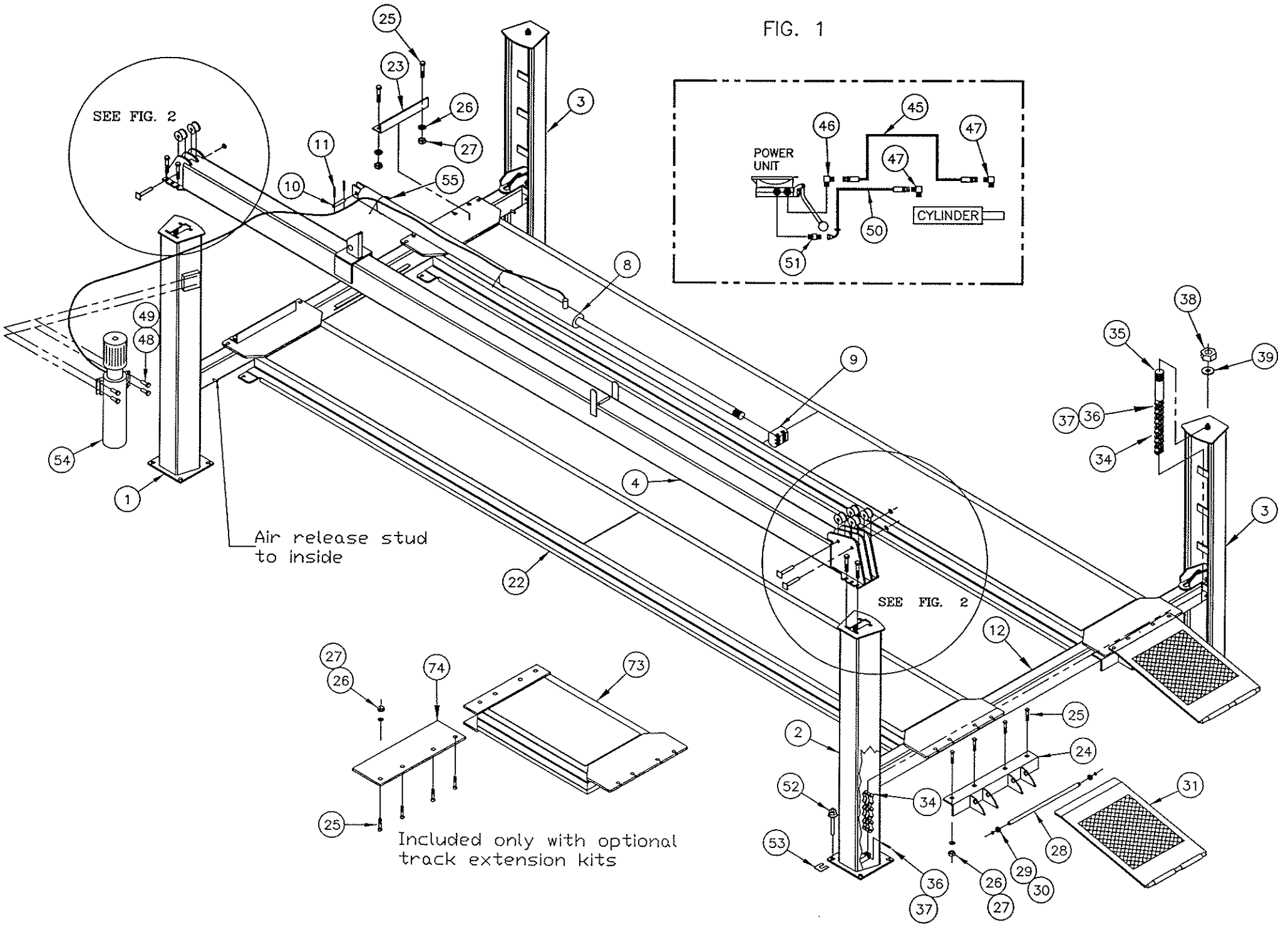


FIG. 2

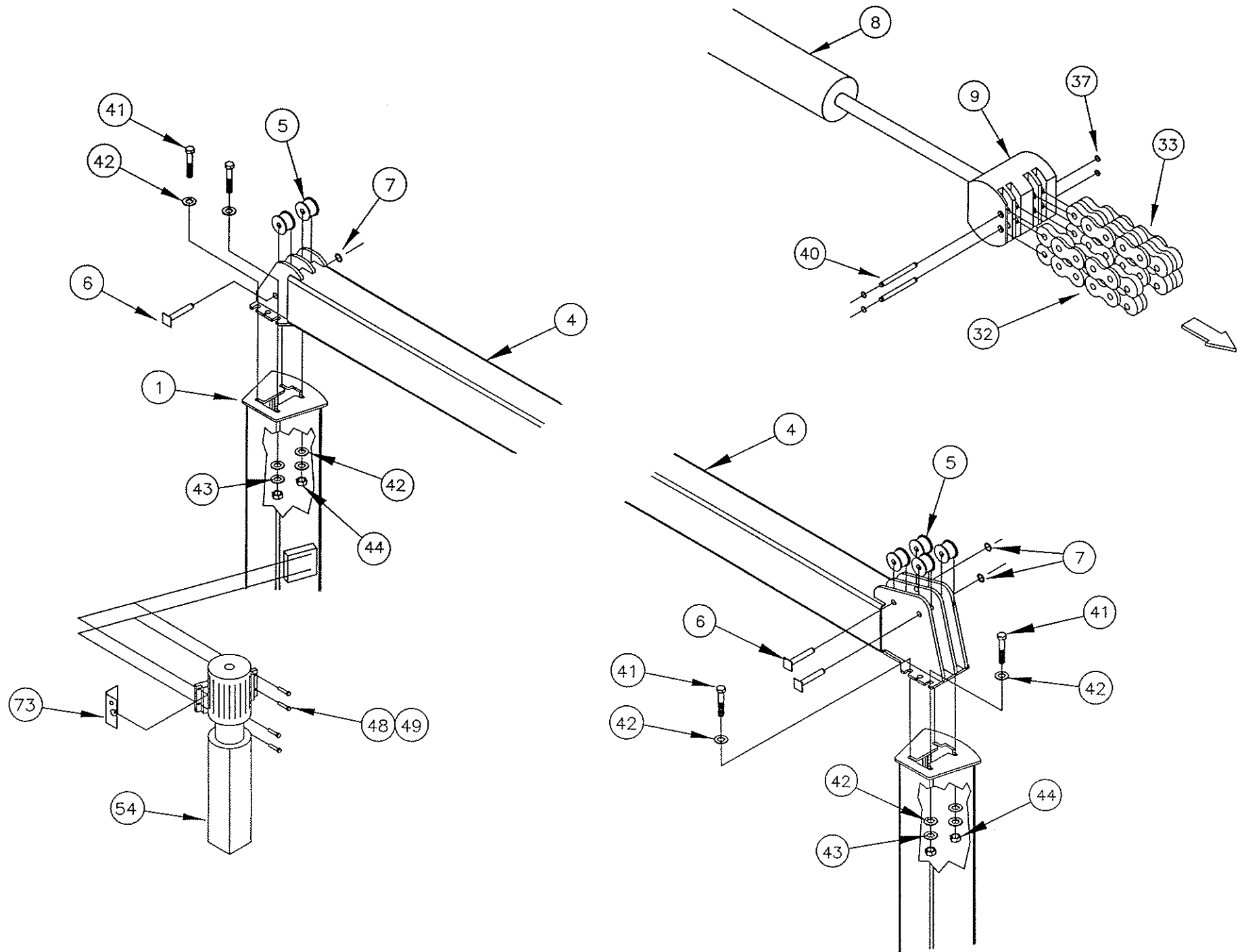
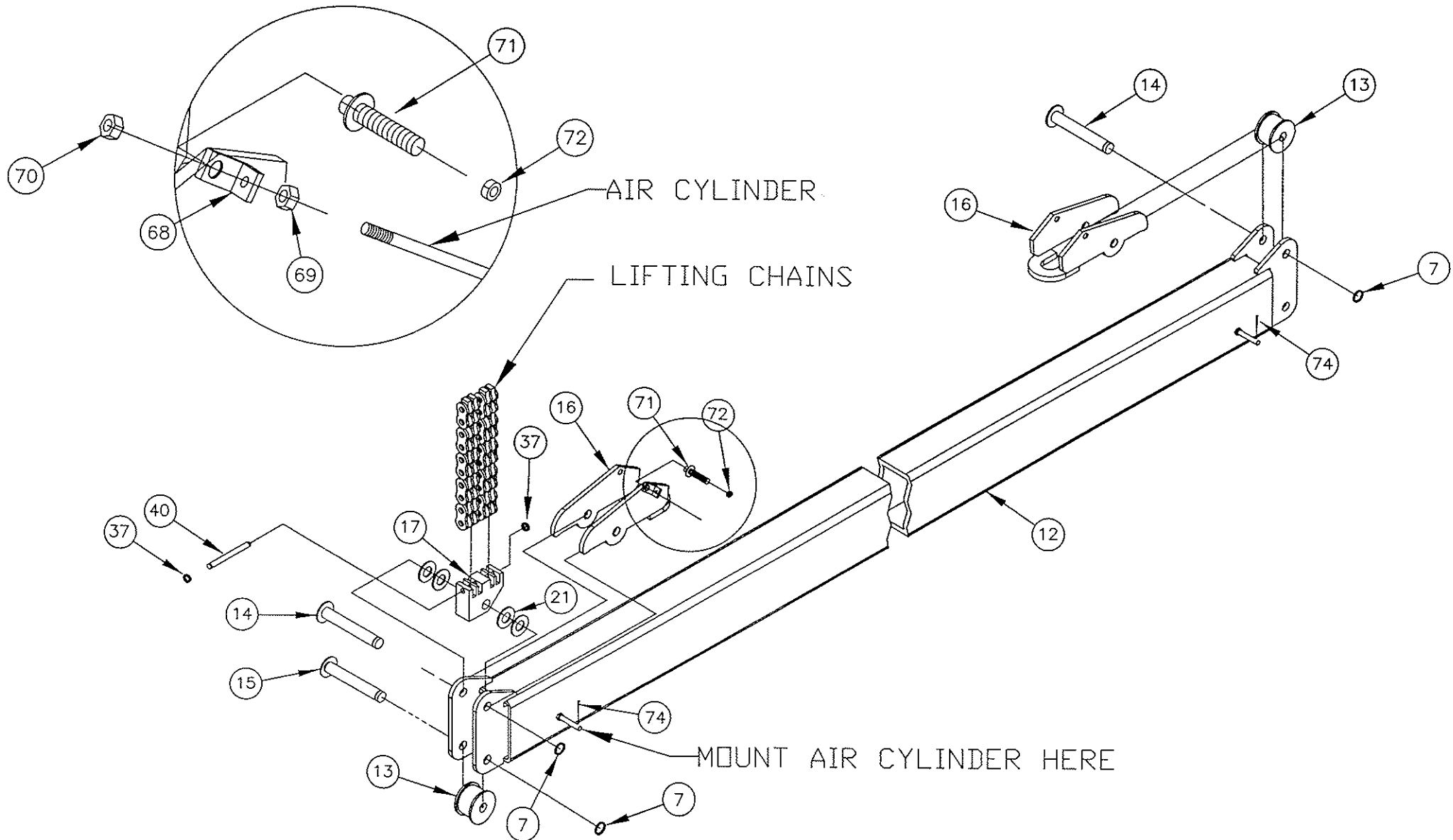
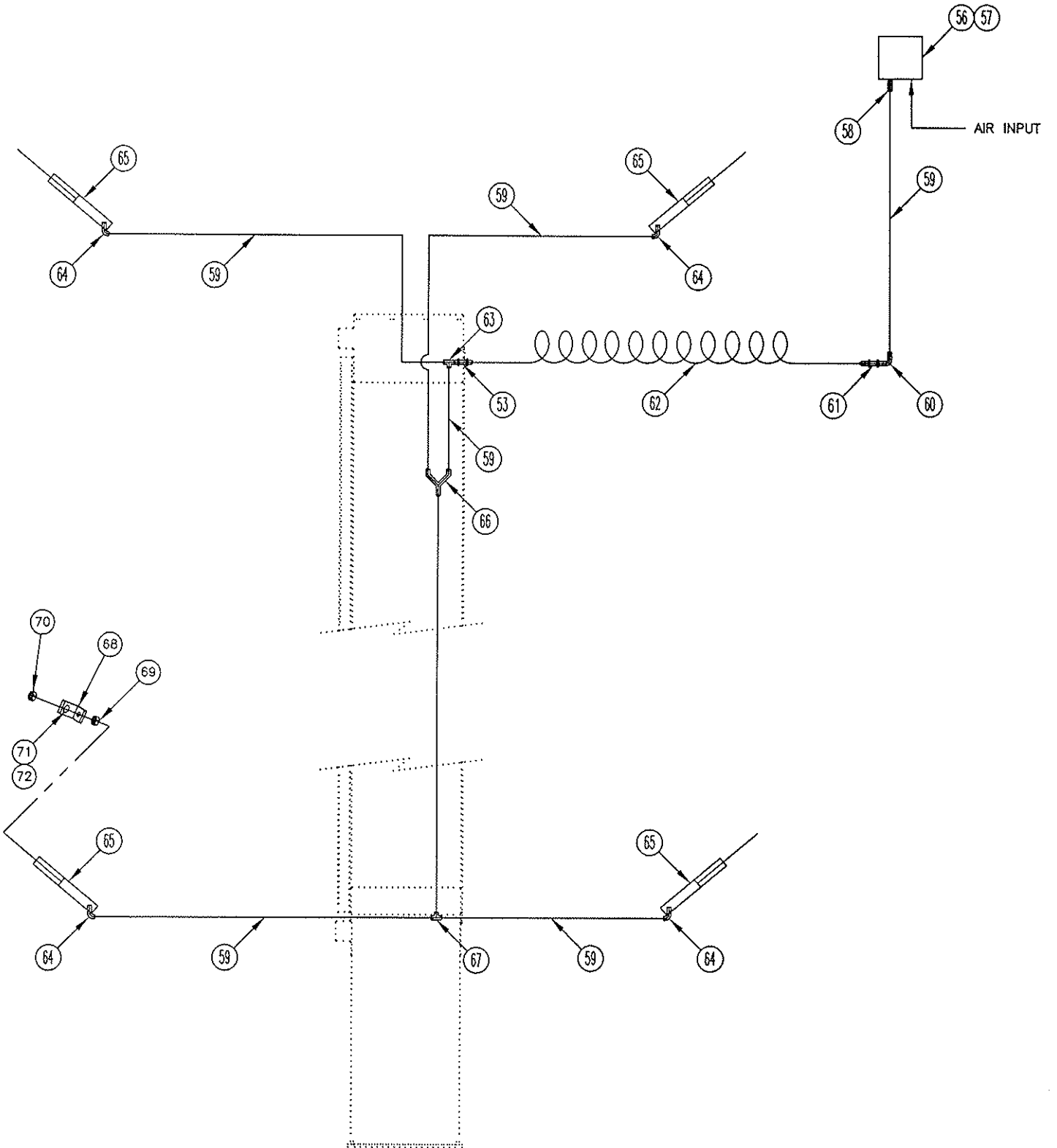


FIG. 3

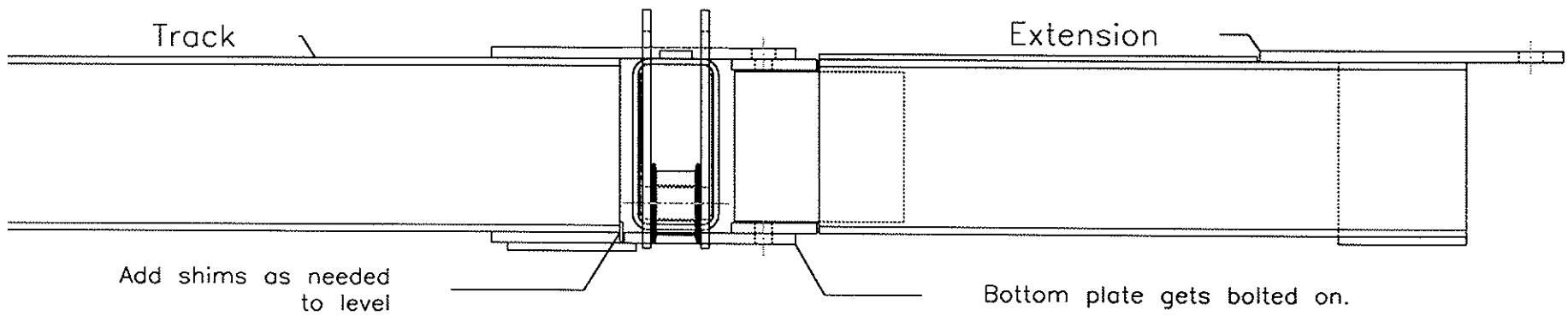


Schematic for Air Release System

Fig. 4



3 ft. extensions



LIFT MODEL		25000-4		33000-4		25000-4 FLT		33000-4 EXT	
LIFT PART NUMBER		90160	QT	90171	QT	90187	QT	90186	QT
1	POST STRUCTURE - MAIN PIU	92183	1	92183	1	92183	1	92183	1
2	POST STRUCTURE - MAIN REAR	92185	1	92185	1	92185	1	92185	1
3	POST STRUCTURE - OFFSIDE	92096	2	92096	2	92096	2	92096	2
#	POST STRUCTURE - CENTER	N/A	0	N/A	0	N/A	0	92232	1
4	HORIZONTAL BEAM STRUCTURE	92201	1	92201	1	92246	1	92235	1
5	BEARING ASSEMBLY	92186	6	92186	6	92186	6	92186	6
6	SHAFT ASSY. HORIZ. 25/33K	92199	3	92199	3	92199	3	92199	3
	SHAFT STRUCTURE	92110	1	92110	1	92110	1	92110	1
	GREASE FITTING	105058	1	105058	1	105058	1	105058	1
7	RETAINING RING - 1-1/2"	103038	13	103038	13	103038	13	103038	13
8	CYLINDER	91197	1	91197	1	91197	1	91197	1
9	CYLINDER ADAPTER	91198	1	91198	1	91198	1	91198	1
10	CYLINDER PIN - 4 POST	91199	1	91199	1	91199	1	91199	1
11	ROLL PIN 1/4" X 2"	103003	2	103003	2	103003	2	103003	2
#	CROSS TUBE ASSEMBLY	92114	2	92189	2	92114	2	92189	2
	12 CROSS TUBE STRUCTURE	92115	1	92190	1	92115	1	92190	1
	13 BEARING ASSEMBLY	92120	2	92120	2	92120	2	92120	2
	14 SHAFT ASSY. LONG -CROSSTUBE	92200	2	92200	2	92200	2	92200	2
	SHAFT STR., LONG - CROSSTUBE	92122	1	92122	1	92122	1	92122	1
	GREASE FITTING	105058	1	105058	1	105058	1	105058	1
	15 SHAFT ASSY. SHORT -CROSSTUBE	92207	1	92207	1	92207	1	92207	1
	SHAFT STR., SHORT - CROSSTUBE	92205	1	92205	1	92205	1	92205	1
	GREASE FITTING	105058	1	105058	1	105058	1	105058	1
	16 SAFETY STRUCTURE	92124	2	92124	2	92124	2	92124	2
	17 CHAIN ANCHOR - CROSS TUBE	92192	1	92192	1	92192	1	92192	1
	21 FLATWASHER 1-1/2 SAE	101040	4	101040	4	101040	4	101040	4
22	TRACK STRUCTURE	92133	2	92133	2	92248	2	92238	2
23	STOP - WHEEL, FRONT (3/8 X 4 X 4 ANGLE)	92151	2	92151	2	92151	2	92151	2
24	RAMP ADAPTER, PIVOT 25/33	92148	2	92148	2	92148	2	92148	2
25	HHCS 3/4-10NC X 2	100362	16	100362	16	100362	16	100362	16
26	LOCKWASHER 3/4	100158	16	100158	16	100158	16	100158	16
27	HEX NUT, 3/4-10NC	101006	16	101006	16	101006	16	101006	16
28	PIN - HINGE, RAMP, 25/33	92147	2	92147	2	92147	2	92147	2
29	RETAINING RING, 3/4"	103000	4	103000	4	103000	4	103000	4
30	WASHER - 3/4" SAE	100512	4	100512	4	100512	4	100512	4
31	RAMP STRUCTURE	92143	2	92143	2	92143	2	92143	2
32	CHAIN - LIFTING, LONG, 425LKS (318.75")BL666	92194	2	92194	2	92253	2	92242	2
33	CHAIN - LIFTING, SHORT, 117LKS (87.75")BL666	92195	2	92195	2	92195	2	92195	2
	CROSS CHAIN ASSEMBLY	92196	2	92196	2	92196	2	92196	2
	34 CHAIN - CROSS, 273LKS (204.75") BL666	92197	2	92197	2	92197	2	92197	2
	35 ANCHOR - CHAIN, ADJUSTABLE	92198	2	92198	2	92198	2	92198	2
	36 PIN - CHAIN, CROSS	91778	4	91778	4	91778	4	91778	4
	37 RETAINING RING - 5/16	101032	16	101032	16	101032	16	101032	16
	38 NYLON NUT 1" 14UNS	101007	2	101007	2	101007	2	101007	2
	39 FLATWASHER 1" SAE	100143	2	100143	2	100143	2	100143	2
40	PIN - CHAIN, LIFTING	92158	4	92158	4	92158	4	92158	4
41	HEW SCREW 1/2 X 13NC X 2 GR. 5	100016	8	100016	8	100016	8	100016	10
42	FLAT WASHER 1/2	100152	16	100152	16	100152	16	100152	20
43	LOCKWASHER 1/2	100125	20	100125	20	100125	20	100125	22
44	HEX NUT 1/2 X 13NC	100124	20	100124	20	100124	20	100124	22

		LIFT MODEL 25000-4		33000-4		25000-4 FLT		33000-4 EXT	
LIFT PART NUMBER		90160	QT	90171	QT	90187	QT	90186	QT
45	HYDRAULIC HOSE 3/8 X 191"	91229	1	91229	1	92255	1	92243	1
46	ELBOW LONG 9/16ORB X 9/16JIC	61362	1	61362	1	61362	1	61362	1
47	ELBOW 3/8 MALE NPT X 9/16JIC	105004	2	105004	2	105004	2	105004	2
48	HHFL SCREW 5/16 X 18NC X 3/4 GR.5	100234	4	100234	4	100234	4	100234	4
49	HH FL NUT 5/16 X 18NC	100237	4	100237	4	100237	4	100237	4
50	HYDRAULIC HOSE 3/8 X 131"	91453	1	91453	1	92256	1	92244	1
51	MALE CONNECTOR 9/16ORB X 9/16JIC	60544	1	60544	1	60544	1	60544	1
52	ANCHOR BOLT 3/4 X 4-3/4	95000	16	95000	16	95000	16	95000	20
53	SHIMS	95001	24	95001	24	95001	24	95001	24
54	POWER UNIT 1 PHASE 220V 4 HP	95020	1	95020	1	95020	1	95020	1
55	PLASTIC TIE	103015	2	103015	2	103015	2	103015	2
	AIR KIT - SAFETY RELEASE	91866	1	91866	1	91866	1	91866	1
56	VALVE - AIR	105038	1	105038	1	105038	1	105038	1
57	ACTUATOR - VALVE	105039	1	105039	1	105039	1	105039	1
58	MALE CONNECTOR - 1/4 TUBE X 1/8 PIPE	105048	1	105048	1	105048	1	105048	1
59	1/4 O.D. TUBING	50100	50	50100	50	50100	50	50100	50
60	MALE ELBOW - 1/4 TUBING X 1/4 PIPE	105047	1	105047	1	105047	1	105047	1
61	ANCHOR COUPLING	105050	2	105050	2	105050	2	105050	2
62	COIL HOSE	105018	1	105018	1	105018	1	105018	1
63	MALE RUN TEE - 1/4 TUBE X 1/8 PIPE	105053	1	105053	1	105053	1	105053	1
64	MALE ELBOW - 1/4 TUBE X 1/8 PIPE	105051	4	105051	4	105051	4	105051	4
65	CYLINDER - AIR, ACTUATING	91787	4	91787	4	91787	4	91787	4
66	UNION "Y" CONNECTOR - 1/4 TUBE	105046	1	105046	1	105046	1	105046	1
67	UNION TEE - 1/4 TUBE	105052	1	105052	1	105052	1	105052	1
68	LINK - AIR CYLINDER	91867	4	91867	4	91867	4	91867	4
69	HEX NUT 1/4-28NF	101034	4	101034	4	101034	4	101034	4
70	NYLON NUT 1/4-28NF	101022	4	101022	4	101022	4	101022	4
71	HFHSL SCREW 3/8-16NCX1-1/4"	100382	4	100382	4	100382	4	100382	4
72	LOCKING NUT 3/8-16NC	100083	4	100083	4	100083	4	100083	4
73	MOUNTING BRACKET-AIR VALVE	91688	1	91688	1	91688	1	91688	1
74	COTTER PIN 1/8 X 3/4	100175	4	100175	4	100175	4	100175	4
75	TRACK EXTENSION (OPTIONAL)	92161	4	92161	4	92161	4	92161	4
76	SUPPORT PLATE (OPTIONAL)	92166	4	92166	4	92166	4	92166	4
#	NAMEPLATE	62249	1	62249	1	62249	1	62249	1
#	BEN PEARSON DECAL 5X36 MYLAR	95005	2	95005	2	95005	2	95005	2
#	PB/800 DECAL 2X5 MYLAR	95006	1	95006	1	95006	1	95006	1
#	CAUTION DECAL 25,000LB/33,000LB	95028	1	95141	1	95028	1	95141	1
#	BLUE TOUCH-UP PAINT (12OZ.) SPRAY	103007	1	103007	1	103007	1	103007	1
#	YELLOW TOUCH-UP PAINT (12OZ.) SPRAY	103008	1	103008	1	103008	1	103008	1
#	WARRANTY CARD	83423	1	83423	1	83423	1	83423	1
#	MANUAL	95142	1	95142	1	95142	1	95142	1
#	ALI DECALS, 4-POST	95164	1	95164	1	95164	1	95164	1

indicates that part is not shown