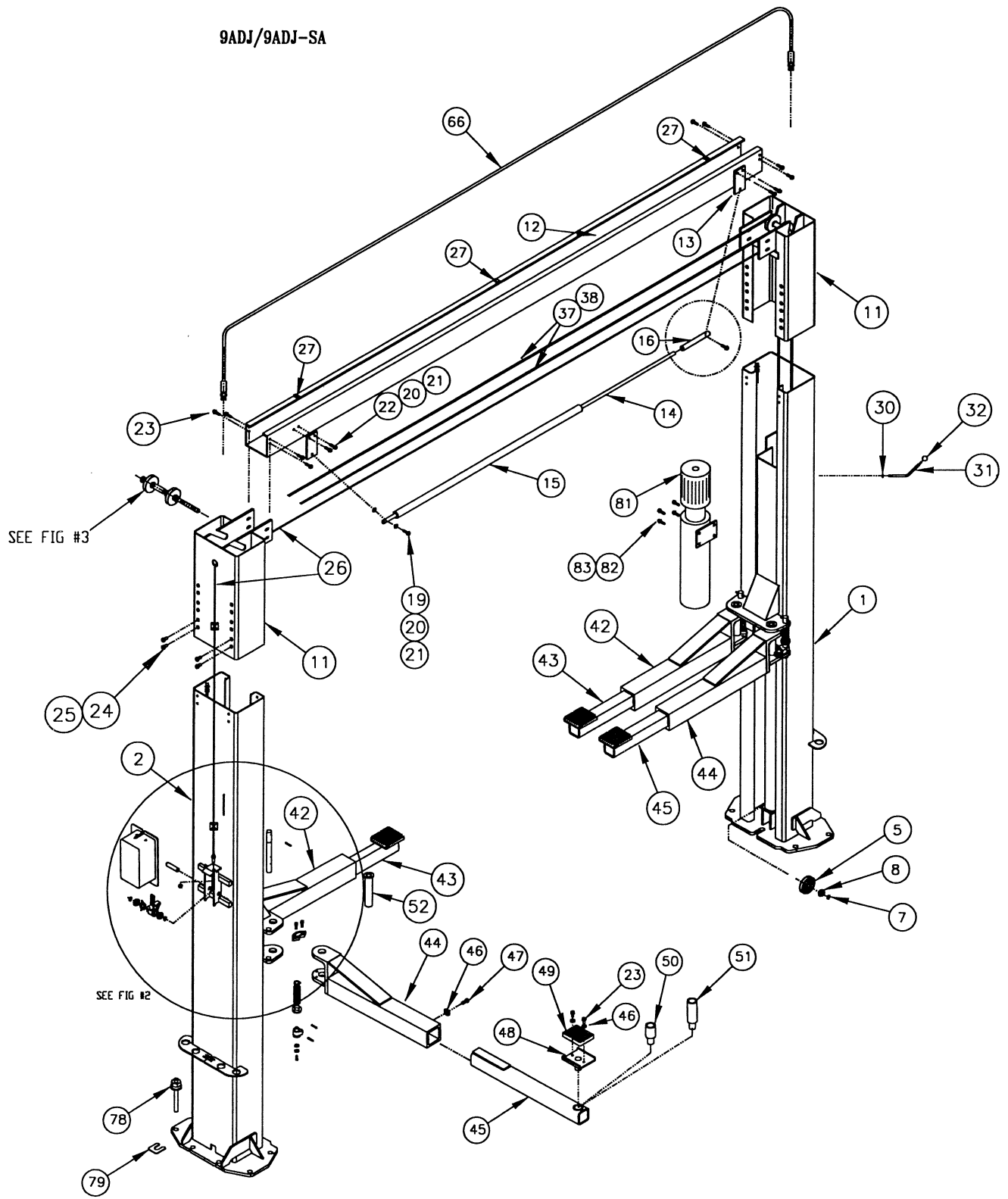


**BEN PEARSON**

**PARTS MANUAL – 9000 ADJ  
9000 ADJ-SA**

**2912 W. 2ND.  
PINE BLUFF, ARKANSAS 71601  
1-800-436-1327**

9ADJ/9ADJ-SA



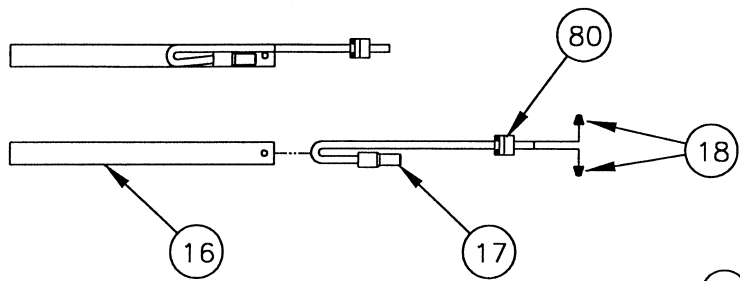


FIG #1

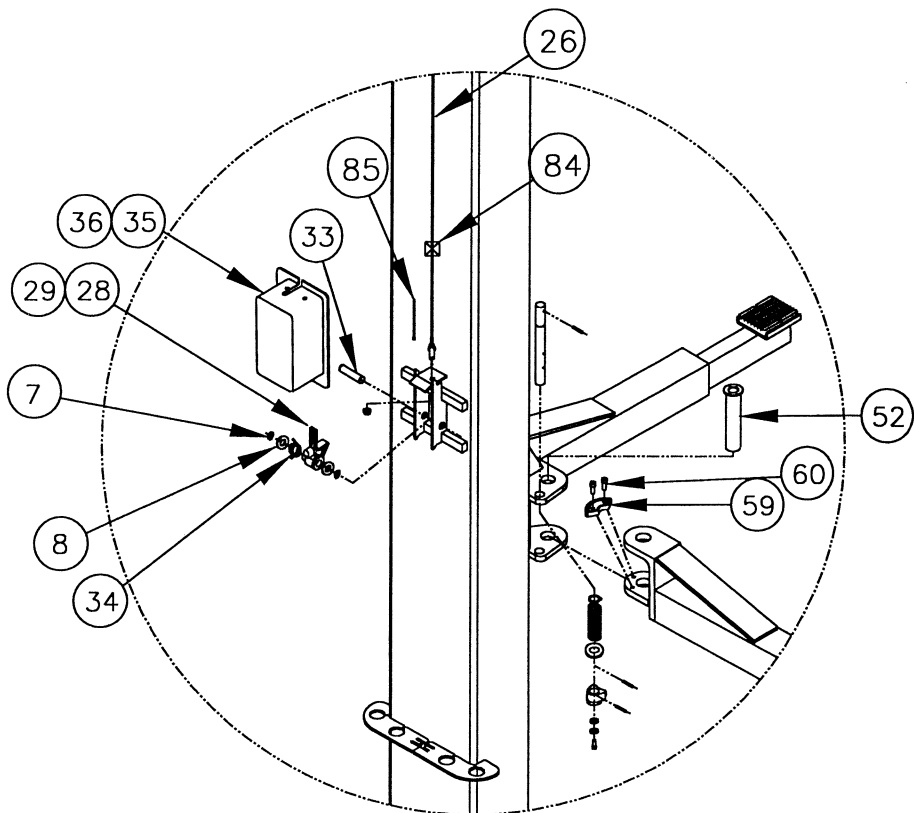
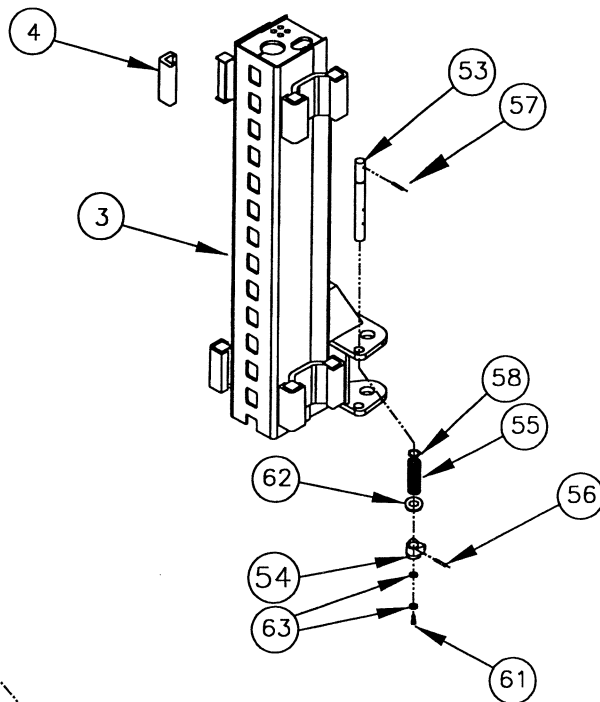


FIG #2

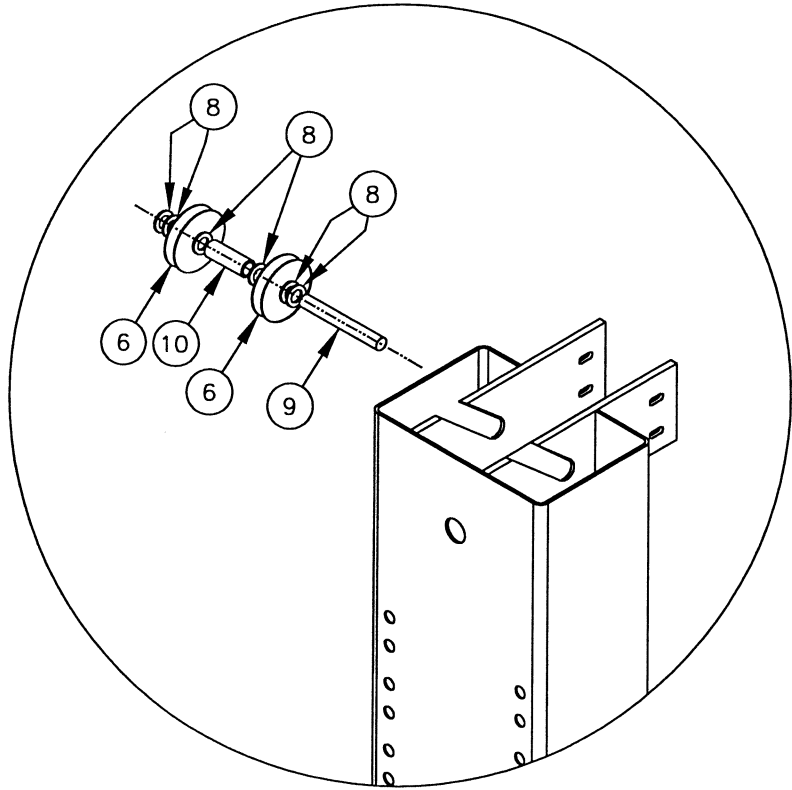


FIG. #3

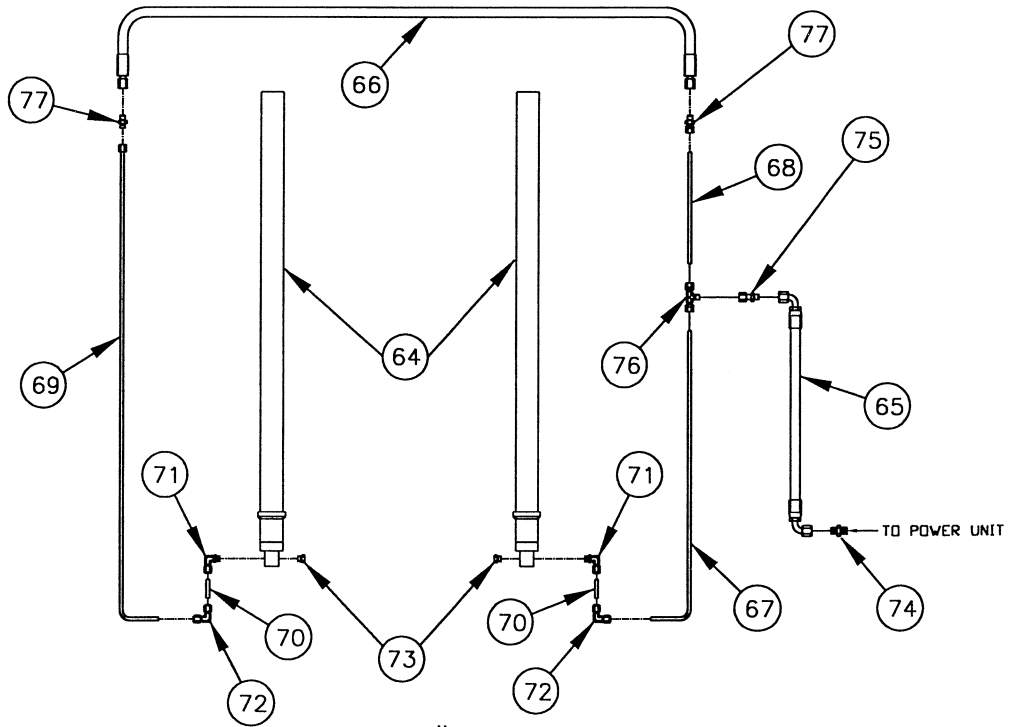


FIG. #4

## PARTS LISTING

11/17/00

	BASE MODEL	9ADJ	9ADJSA	
	LIFT PART NUMBER	90142	90144	
1	POST STRUCTURE - RH	92009	1	92009 1
2	POST STRUCTURE - LH	92010	1	92010 1
3	CARRIAGE STRUCTURE	92016	2	92016 2
4	BEARING BLOCK	91564	16	91564 16
5	SHEAVE ASSEMBLY	91748	2	91748 2
6	SHEAVE	91565	4	91565 4
7	SNAP RING 3/4"	103000	6	103000 6
8	FLATWASHER 3/4" SAE	100512	18	100512 22
9	SHAFT - EXTENSION 9ADJ	92033	2	92033 2
10	SPACER - SHEAVE, OVERHEAD 9ADJ	92034	2	92034 2
11	STRUCTURE - EXTENSION, POST 9ADJ	92018	2	92018 2
12	CROSSOVER CHANNEL - 10SI	92000	1	92000 1
13	BRACKET - SHUTOFF MOUNTING	91567	2	91567 2
14	PIPE - SHUTOFF BAR	91568	1	91568 1
15	CUSHION - SHUTOFF BAR	91577	1	91577 1
16	HOLDER - SWITCH	91570	1	91570 1
17	SWITCH - MERCURY OVERHEAD	91571	1	91571 1
18	WIRE NUT	61089	2	61089 2
19	5/16 X 1-1/4 SHOULDER BOLT	101031	2	101031 2
20	HEX NUT 1/4-20NC	100131	6	100131 6
21	LOCKWASHER 1/4"	100134	6	100134 6
22	HHS 1/4 20 NC X 3/4	100207	4	100207 4
23	HEX SCREW 3/8-16NC X 3/4	100179	8	100179 8
24	HFHSL 3/8-16NC X 1"	100238	16	100238 16
25	HFHSL NUT 3/8-16NC	100239	24	100239 24
26	ACTUATOR CABLE- 9ADJ - 272-1/4"	92025	1	92025 1
27	CLIP - CABLE	103021	3	103021 3
28	RH CARRIAGE LATCH	91599	1	91599 1
29	LH CARRIAGE LATCH	91600	1	91600 1
30	HEX JAM NUT 3/8-16	101029	1	101029 1
31	HANDLE - CARRIAGE STOP	91574	1	91574 1
32	KNOB	91575	1	91575 1
33	PIN - PIVOT - CARRIAGE STOP	91576	2	91576 2
34	TORSION SPRING - CARRIAGE STOP	103016	2	103016 2
35	LATCH COVER - POWER UNIT SIDE	91569	1	91569 1
36	LATCH COVER - OFFSIDE	91533	1	91533 1
		91636	2	91636 2
37	CABLE - EQUALIZER- 9ADJ 30' 6-3/4"	92026	2	92026 2
		91626	2	91626 2
38	HEX NUT 5/8-11NC	100192	8	100192 8
#	CHAIN - LIFTING 9FC - 89.25"	91764	2	91764 2
#	PIN SHAFT	91727	4	91727 4
#	5/16" SNAP RING	103032	8	103032 8
42	FRONT ARM STRUCTURE	91613	2	
42	FRONT ARM STRUCTURE - RH			91710 1
42	FRONT ARM STRUCTURE - LH			91723 1
43	FRONT ARM EXTENSION STRUCTURE	91615	2	91719 2
44	REAR ARM STRUCTURE	91613	2	91548 2
45	REAR ARM EXTENSION STRUCTURE	91615	2	91551 2
46	FLATWASHER 3/8 SAE	100082	4	100082 4
47	3/8 X 3/4 SELF TAPPING SCREW	101025	4	101025 4

		BASE MODEL	9ADJ		9ADJSA	
		LIFT PART NUMBER	90142		90144	
#	LIFT PAD ASSEMBLY		91555	4	91555	4
	48 LIFT PAD STRUCTURE		91556	1	91556	1
	49 PAD LIFT - BOLT ON		91559	1	91559	1
	23 HEX SCREW 3/8-16NC X 3/4		100179	2	100179	2
	46 FLATWASHER 3/8 SAE		100082	2	100082	2
50	LIFT PAD EXTENSION 2-5/8"		91560	4	91560	4
51	LIFT PAD EXTENSION 5"		91562	4	91562	4
52	ARM PIN STRUTURE		91063	4	91063	4
53	SHAFT - ARM RESTRAINT		91581	4	91581	4
54	GEAR - LOCKING		91582	4	91582	4
55	SPRING - ACTUATING - ARM RESTRAINT		103017	4	103017	4
56	ROLL PIN 3/16 X 1-1/2		103009	8	103009	8
57	ROLL PIN 1/4 X 2-1/2		103018	4	103018	4
58	1" SNAP RING		103019	4	103019	4
59	GEAR - ARM RESTRAINT		91584	4	91584	4
60	SHCS 3/8-16NC X 1"		101028	8	101028	8
61	SHCS 5/16-18 X 3/4		101027	4	101027	4
62	FLATWASHER 1" SAE		100143	4	100143	4
63	FLATWASHER 5/16" SAE		100088	8	100088	8
64	CYLINDER ASSEMBLY		91732	2	91732	2
65	HYDRAULIC HOSE 3/8 x 18"		91595	1	91595	1
66	HYDRAULIC HOSE 3/8 x 149"		92035	1	92035	1
67	HYDRAULIC LINE - POWER SIDE , LOWER		92029	1	92029	1
68	HYDRAULIC LINE - POWER SIDE , UPPER		92030	1	92030	1
69	HYDRAULIC LINE - OFFSIDE		92031	1	92031	1
70	HYDRAULIC LINE - CONNECTOR		92032	2	92032	2
71	ELBOW - STRAIGHT THREAD		105040	2	105040	2
72	UNION ELBOW		105042	2	105042	2
73	PLUG - 3/8"NPT		105002	2	105002	2
74	ADAPTER 9/16ORB X 9/16JIC		60544	1	60544	1
75	FEMALE BULKHEAD CONNECTOR		105025	1	105025	1
76	MALE BRANCH TEE		105022	1	105022	1
77	UNION ADAPTER		105024	2	105024	
78	ANCHOR BOLT 3/4 X 5-1/2"		95083	12	95083	12
79	SHIMS		95001	24	95001	24
80	STRAIN RELIEF		103023	1	103023	1
81	POWER UNIT		95103	1	95103	1
82	HHFL SCR 5/16 X 18NC X 3/4 GR.5		100234	4	100234	4
83	HHFL NUT 5/16 X 18NC		100237	4	100237	4
84	ADHESIVE 4 WAY CABLE TIE		103020	4	103020	4
85	TIE WRAP		103025	4	103025	4
#	SERIAL NAME PLATE		95056	1	95056	1
#	BEN PEARSON DECAL		95005	2	95005	2
#	PB/800 DECAL 2X5 MYLAR		95006	1	95006	1
#	CAUTION DECAL 9000 LB		95007	2	95007	2
#	ETL DECAL		95045	1	95045	1
#	ALI UNIFORM WARNING LABELS		95046	1	95046	1
#	ALI SAFETY REQUIREMENTS FOR OPERATION		95047	1	95047	1
#	ALI LIFTING POINT QUICK REF.		95048	1	95048	1
#	LIFTING IT RIGHT MANUAL		95049	1	95049	1
#	ALI SAFETY TIPS CARD		95062	1	95062	1
#	BLUE TOUCH-UP PAINT		103007	1	103007	1
#	YELLOW TOUCH-UP PAINT		103008	1	103008	1
#	WARRANTY CARD		83423	1	83423	1
#	MANUAL		95112	1	95112	1
#	NOT SHOWN					