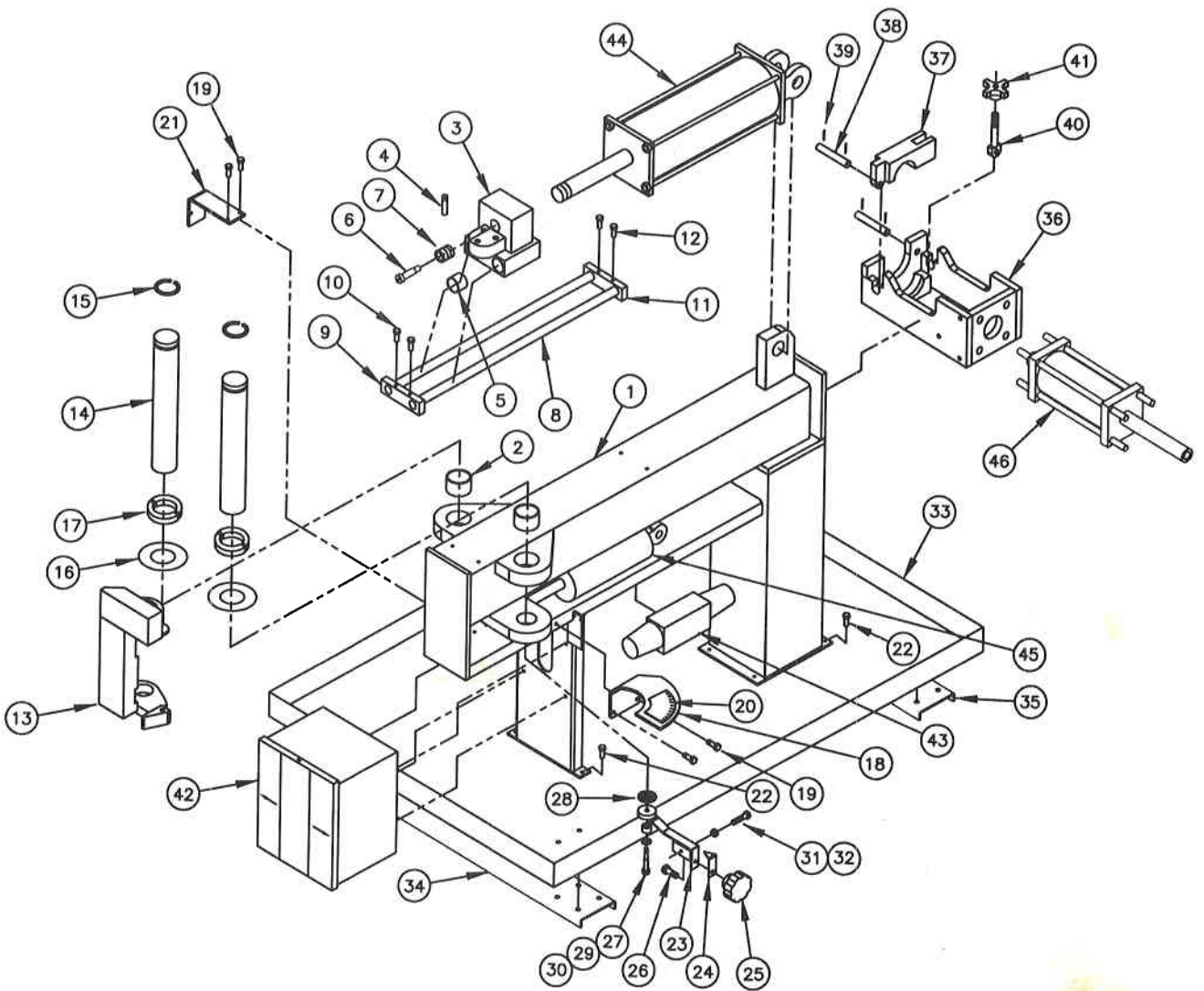
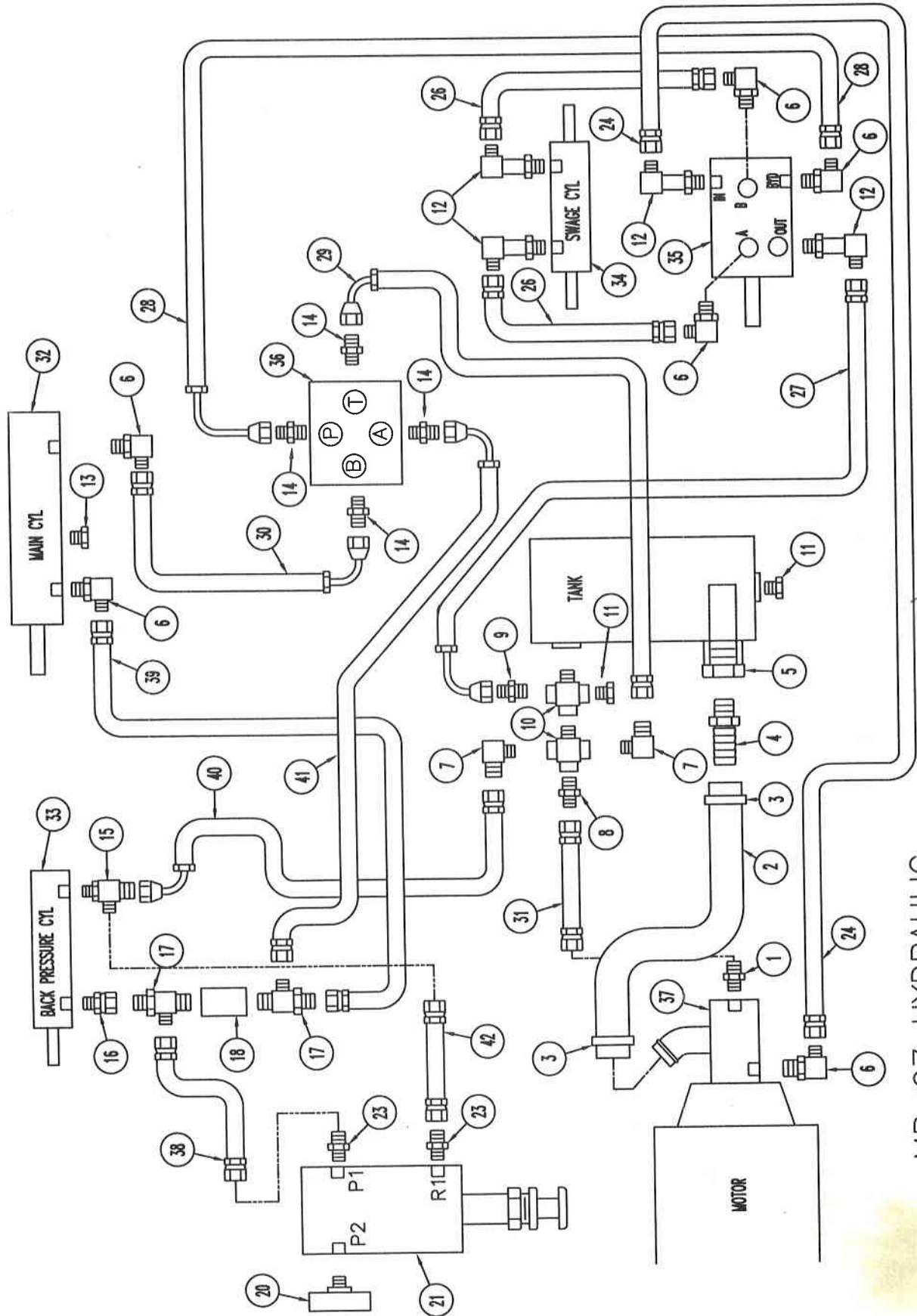


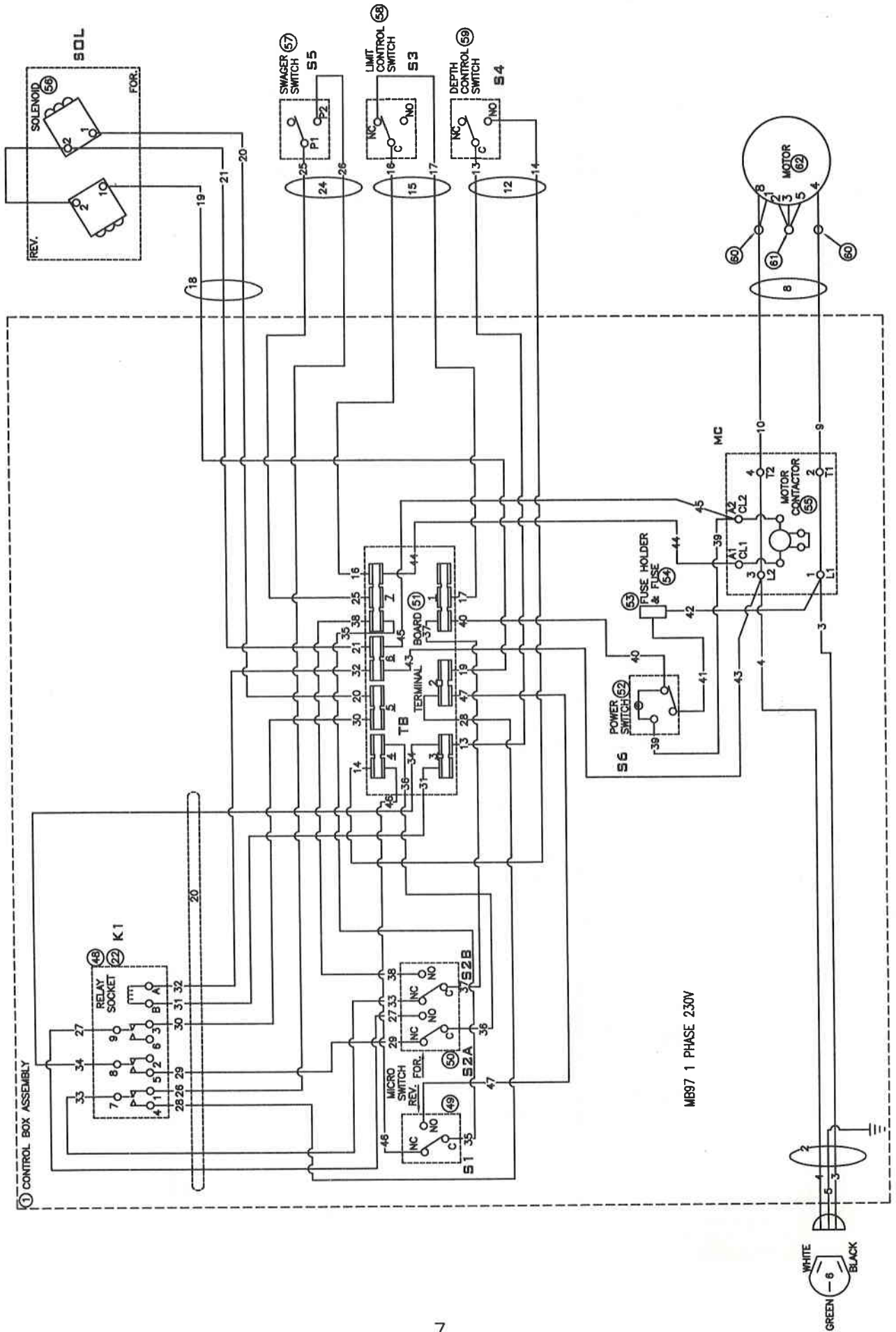
MB-97 PARTS



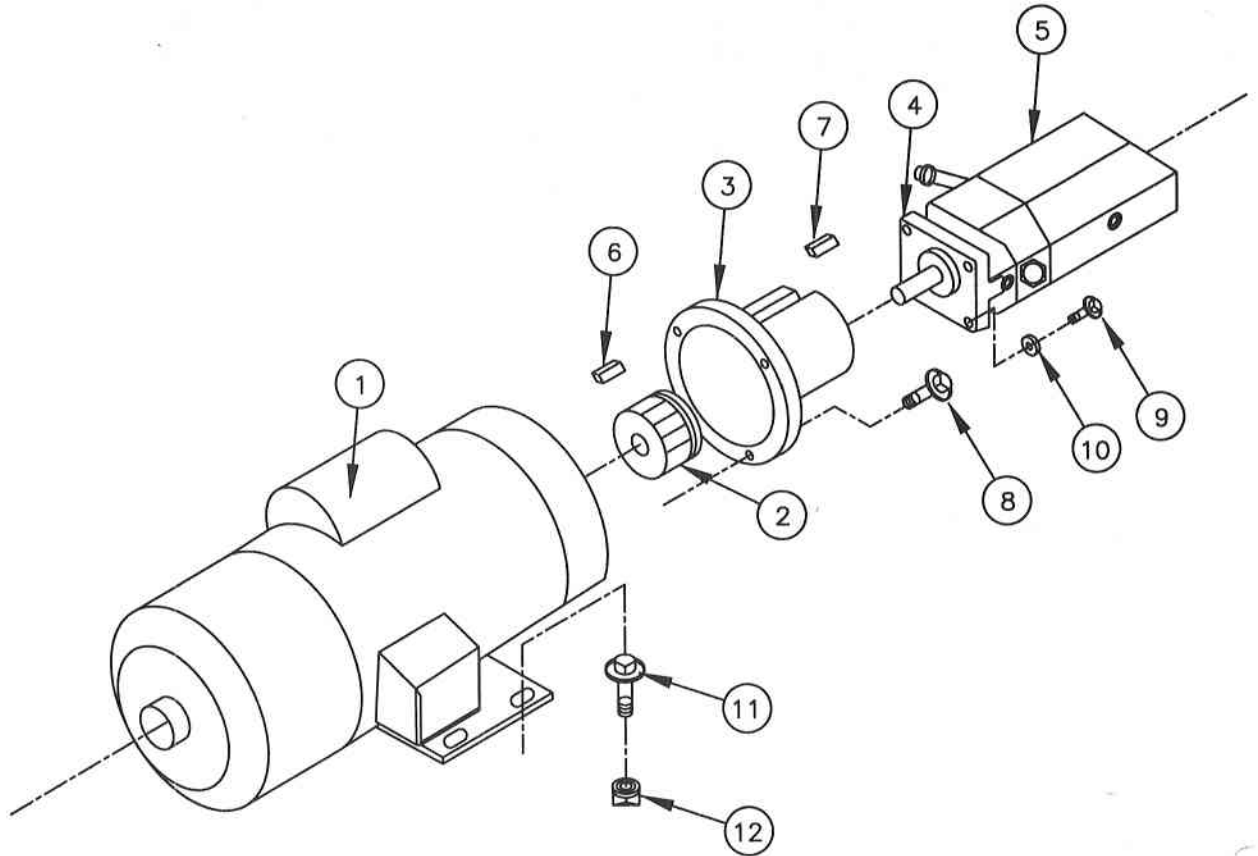
| | | | |
|----|--------|-------------------------------------|----|
| 30 | 100048 | RUBBER WASHER | 1 |
| 31 | 100377 | HEX SCREW 1/4 X 20NC X 1-1/4 | 1 |
| 32 | 100131 | HEX NUT 1/4-20NC | 1 |
| # | 60124 | TUBEMASTER DECAL | 1 |
| # | 62612 | DECAL-HYD PRESSURE | 1 |
| # | 60297 | COLOR CODE DECAL | 2 |
| 33 | 62485 | BASE | 1 |
| 34 | 60173 | BOTTOM SUP-FRT | 1 |
| 35 | 60618 | BOTTOM SUP-REAR | 1 |
| # | 60089 | SWIVEL CASTERS - 4 DIA | 4 |
| # | 100238 | HEX FL HD SL SCREW 3/8-16NC X 1 | 16 |
| # | 100239 | HEX FL HD SL NUT 3/8-16 NC | 16 |
| # | 60616 | DIE STOP - TRAY | 2 |
| # | 100234 | HEX FL HS SL SCREW 5/16-18 X 3/4 | 8 |
| # | 100237 | HEX FL HS SL NUT 5/16-18NC | 8 |
| # | 62157 | TOP TOOL TRAY | 1 |
| # | 62779 | WISE ASSY | 1 |
| 36 | 62787 | BASE STR. - SOLID DIE WISE | 1 |
| 37 | 61419 | WISE STR. TOP | 1 |
| 38 | 61443 | PIN - HOOK PIVOT SOLID DIE | 2 |
| 39 | 100189 | COTTER PIN 3/32 X 1 | 4 |
| # | 100141 | FLATWASHER 1/2" SAE | 3 |
| 40 | 61760 | CLAMP BOLT | 1 |
| 41 | 61597 | KNOB | 1 |
| # | 61800 | SWAGE WISE WARNING DECAL | 1 |
| # | 80453 | 1/2 X 1-3/4 HHSCREW | 2 |
| # | 100125 | LOCKWASHER 1/2" MED | 2 |
| # | 61247 | CYL ADAPTER | 1 |
| # | 62059 | ARBOR BOLT | 1 |
| # | 100266 | HEX JAM NUT - THIN 7/8 X 14NF | 1 |
| # | 62060 | ADJ BOLT W/ADAPTER ASSY | 1 |
| # | 62062 | ADJ NUT | 1 |
| # | 61780 | DECAL ACME NUT | 1 |
| # | 61397 | SIGHT GA. | 1 |
| # | 100108 | 10 X 3/8 RD HD SCR. | 2 |
| # | 61779 | SETTING DECAL | 1 |
| # | 61800 | CAUTION DECAL | 1 |
| # | 60653 | DECAL - CAUTION | 1 |
| # | 61095 | SWITCH BOX STR | 1 |
| # | 100002 | H SCREW 5/16-18NC X 3/4 GR 5 | 2 |
| # | 100159 | LOCKWASHER 5/16 MED | 2 |
| # | 60830 | SWITCH BOX COVER | 1 |
| # | 100091 | RD HD SELF TAP SCREW #10-24NC X 1/2 | 2 |
| 42 | 62784 | CONTROL BOX ASSY | 1 |
| 43 | 61950 | DIR. CONTROL VALVE | 1 |
| # | 100312 | SHCS 1/4 X 1-1/2 | 4 |
| # | 61101 | STRAIN REL. BUSHING | 1 |



MB-97 HYDRAULIC SCHEMATIC

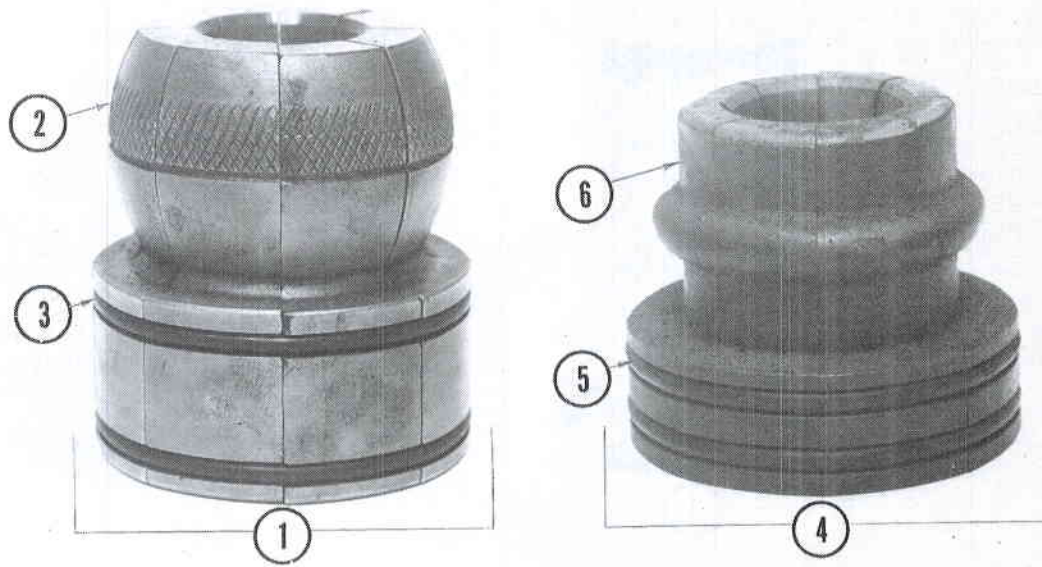


MOTOR AND PUMP



| SYS | PART # | PART NAME | QT. |
|-----|--------|--|-----|
| | 1 | 62244 MOTOR 1PH.-230V-4 HP-1750RPM BALDOR | 1 |
| | 2 | 60425 FLEXIBLE COUPLING ASSEMBLY | 1 |
| | 3 | 60426 ADAPTER | 1 |
| | 4 | 60427 GASKET | 1 |
| | 5 | 60428 PUMP - BARNES | 1 |
| | 6 | - KEY | 1 |
| | 7 | - KEY | 1 |
| | 8 | 100238 HFHSL SCREW - 3/8-16NC X 1 GR.5 | 4 |
| | 9 | 100234 HFHSL SCREW - 5/16-18NC X 3/4 GR.5 -BARNES PUMP | 4 |
| | 9 | 100241 HEX SCREW - 5/16-18NC X 6-1/2 GR.5 - MTE PUMP | 2 |
| | 10 | 100159 LOCK WASHER - 5/16 | 2 |
| | 11 | 100234 HFHSL SCREW 5/16-18NC X 3/4 GR.5 | 4 |
| | 12 | 100237 HFHSL NUT 5/16-18NC | 4 |

SEGMENTED BUICK BALLS CHEVROLET FLANGE TOOLS



| Code | Part Number | Part Name | Quantity Required Per Model | | | | | | |
|------|-------------|---|-----------------------------|--|--|--|--|--|--|
| | | | | | | | | | |
| 1 | 61544 | Segmented Buick Ball, 2 | 1 | | | | | | |
| 2 | 61754 | Segment, 2 (8) | | | | | | | |
| 3 | 60256 | O'Ring (2) | | | | | | | |
| 1 | 61545 | Segmented Buick Ball, 2-1/4 | 1 | | | | | | |
| 2 | 61755 | Segment, 2-1/4 (8) | | | | | | | |
| 3 | 60257 | O'Ring (2) | | | | | | | |
| 1 | 61546 | Segmented Buick Ball, 2 1/2 | 1 | | | | | | |
| 2 | 61756 | Segment, 2 1/2 (8) | | | | | | | |
| 3 | 60283 | O'Ring (2) | | | | | | | |
| 4 | 60857 | Segmented Chevrolet Flange Tool, 2 | 1 | | | | | | |
| 5 | 60905 | Segment, 2 (8) | | | | | | | |
| 6 | 60257 | O'Ring (2) | | | | | | | |
| 4 | 60867 | Segmented Chevrolet Flange Tool, 2 1/4 | 1 | | | | | | |
| 5 | 60906 | Segment, 2 1/4 (8) | | | | | | | |
| 6 | 60283 | O'Ring (2) | | | | | | | |
| # | 61533 | Flattening Tool Structure | | | | | | | |
| # | 61835 | O'Ring Kit - Segmented Tools (Assorted) | 1 | | | | | | |
| # | | Not Shown | | | | | | | |

